


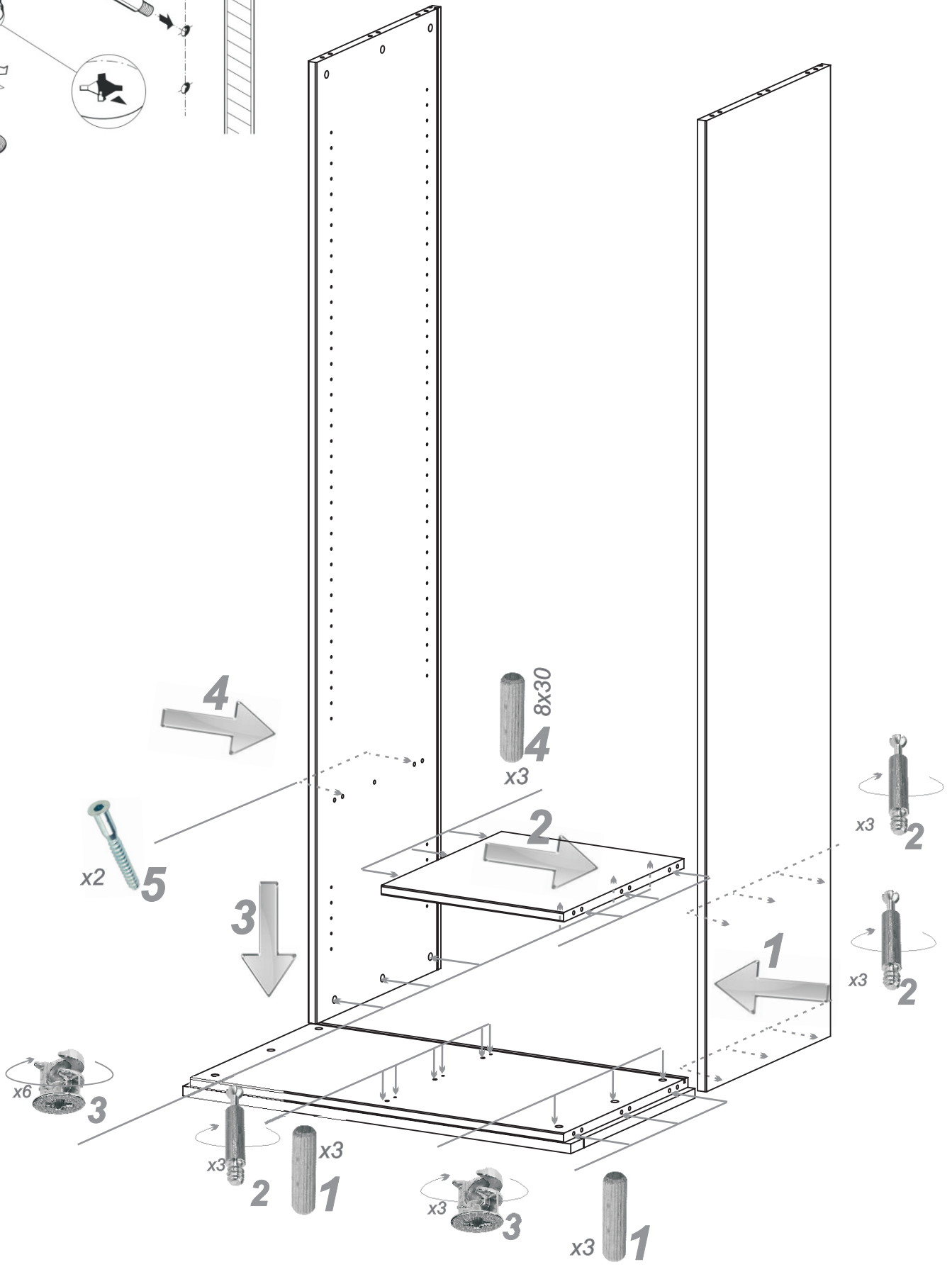
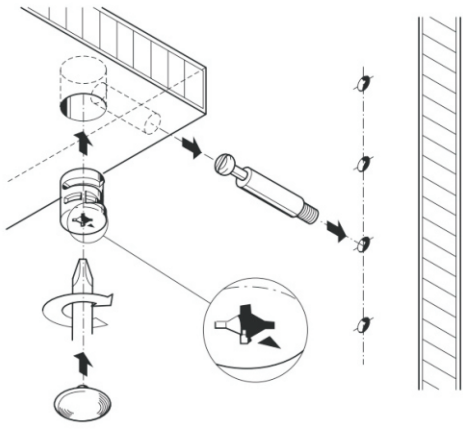
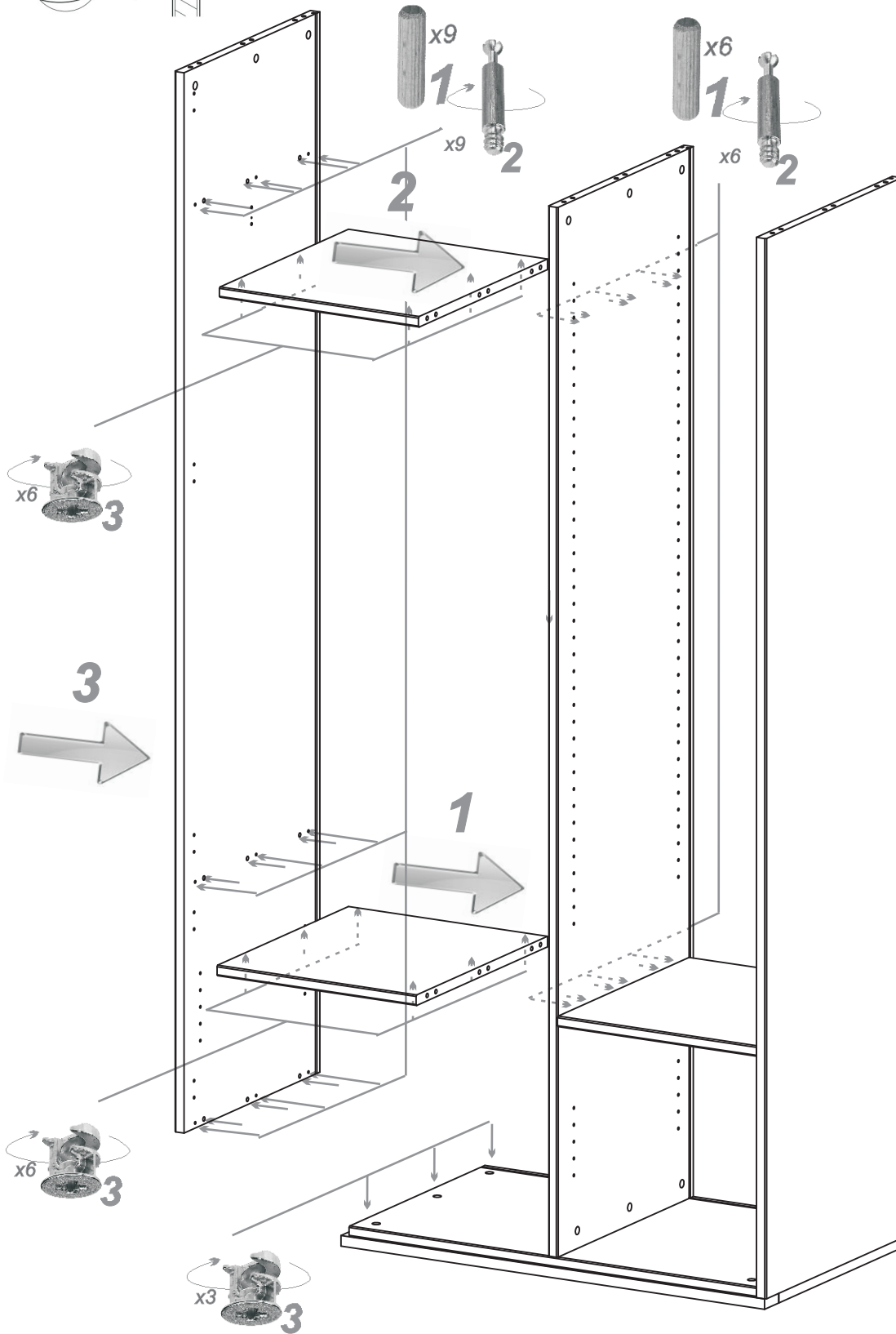
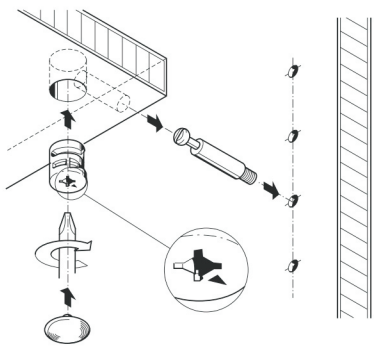
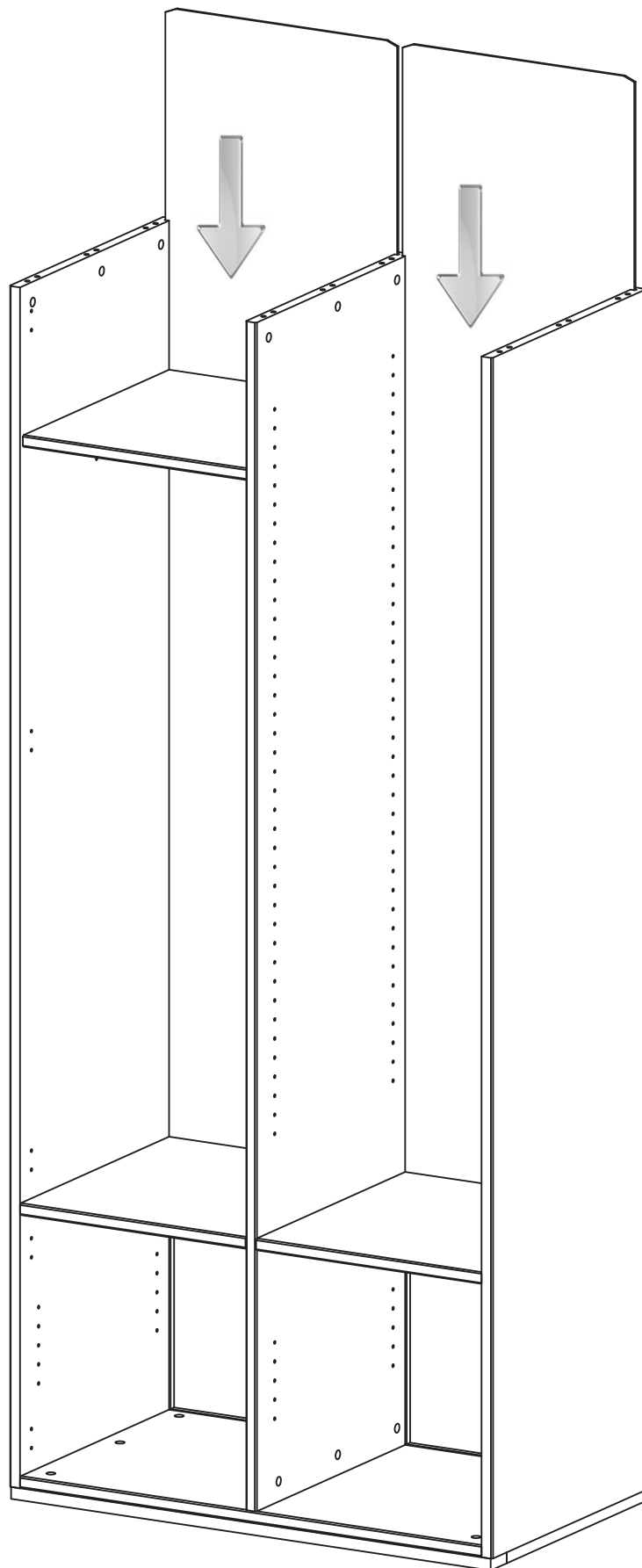
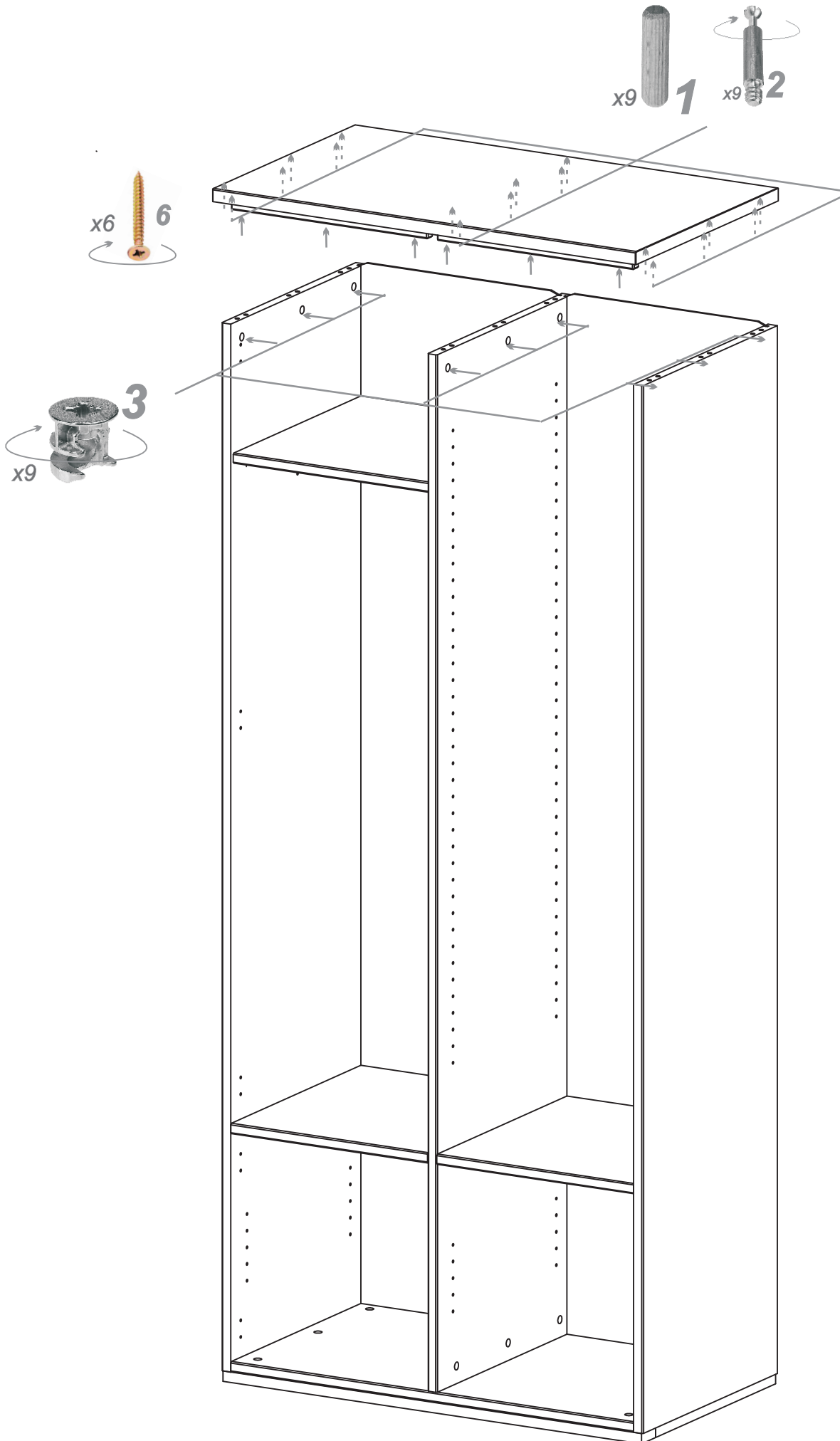


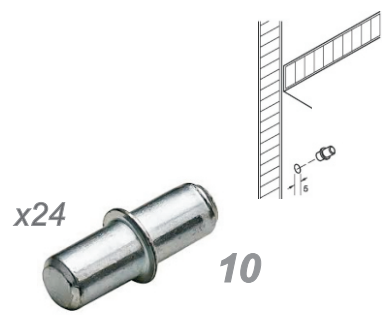
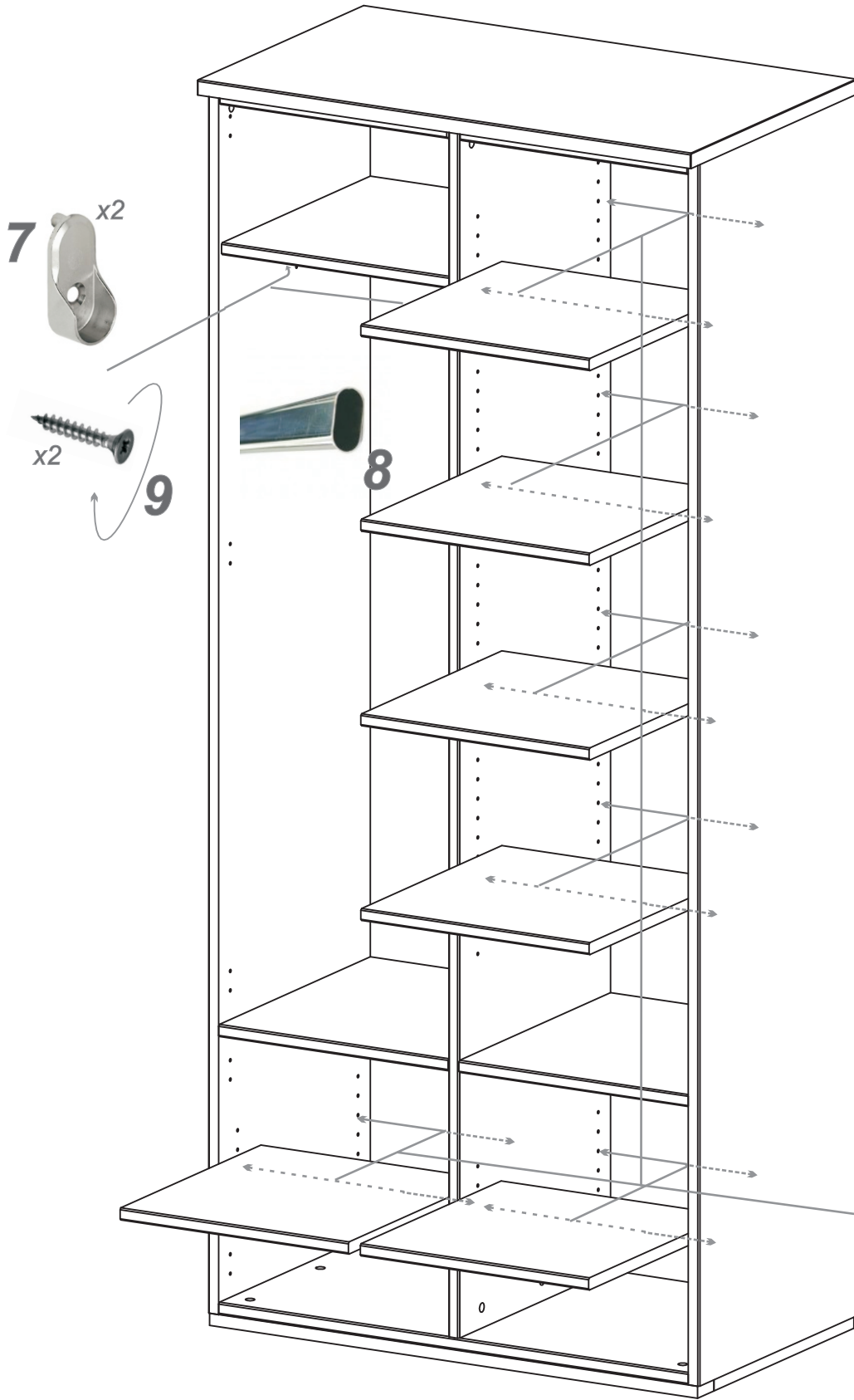
01 Ø8x40  x 30	02  x 33	03  x 33	04 Ø8x30  x 3	05 Ø7x50  x 2	06 Ø4,5x35  x 6	07  x 2	08  x 1
09 Ø4x16  x 22	10  x 24	11 H-0  x 10	12  x 10	13  x 24	14  x 1	15 S4  x 2	

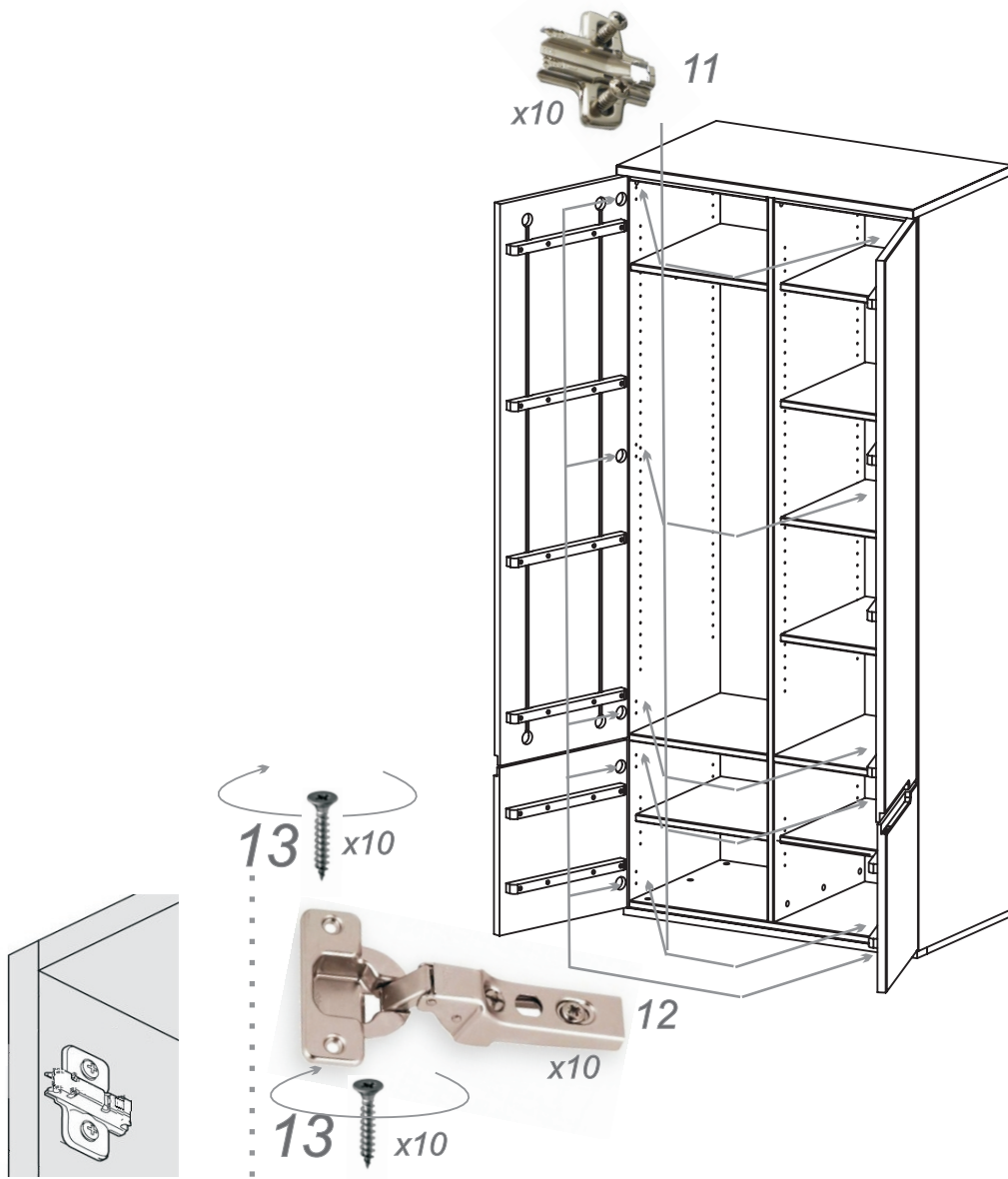




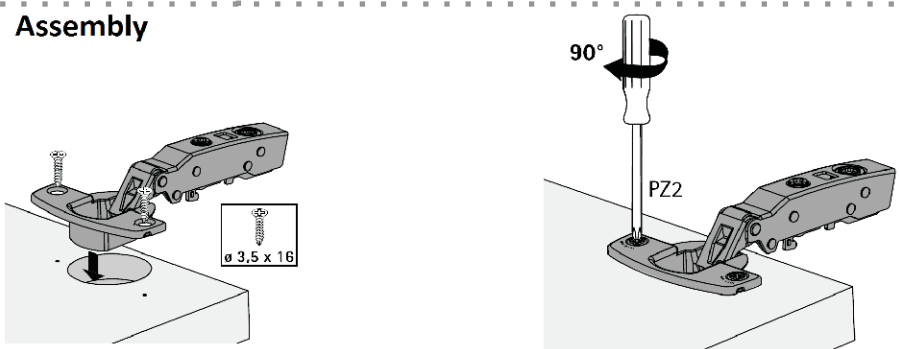




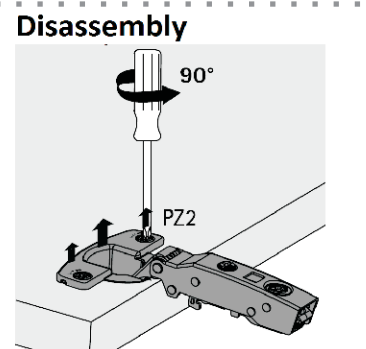




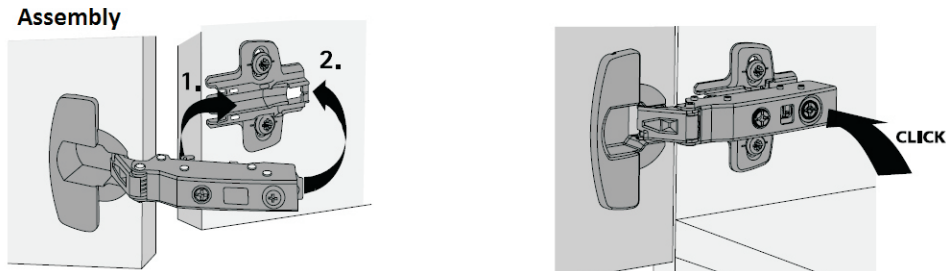
**b** Assembly



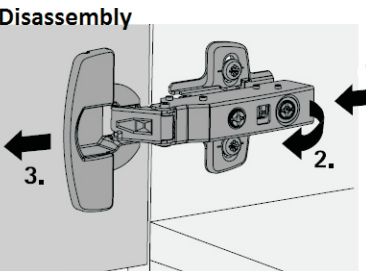
Disassembly



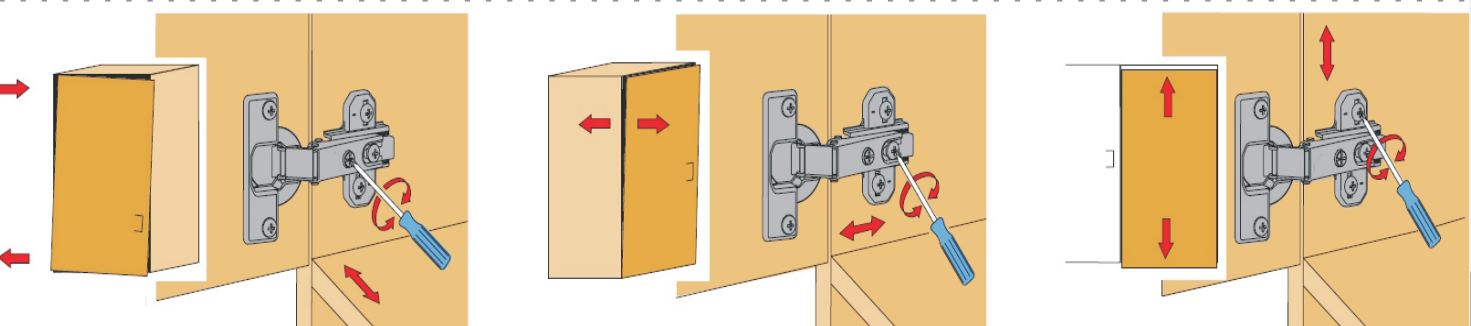
**c** Assembly



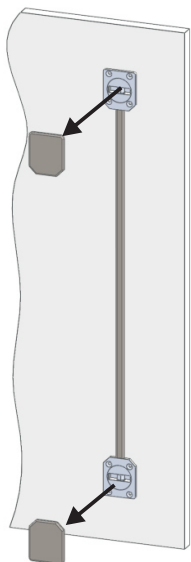
Disassembly



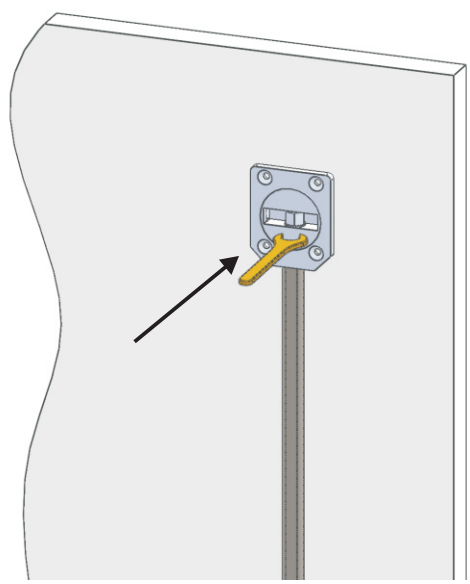
**d**



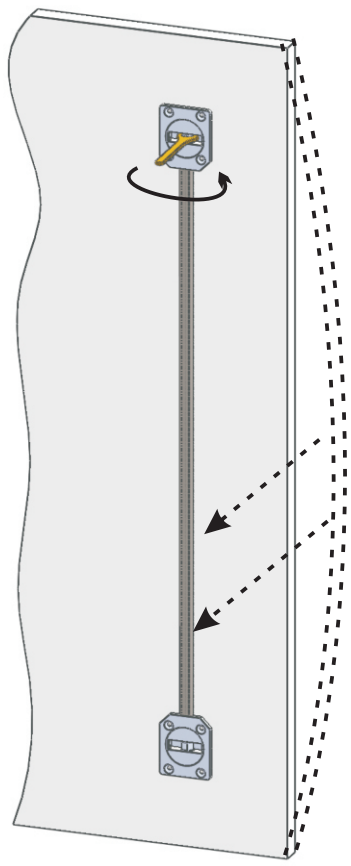
**a**



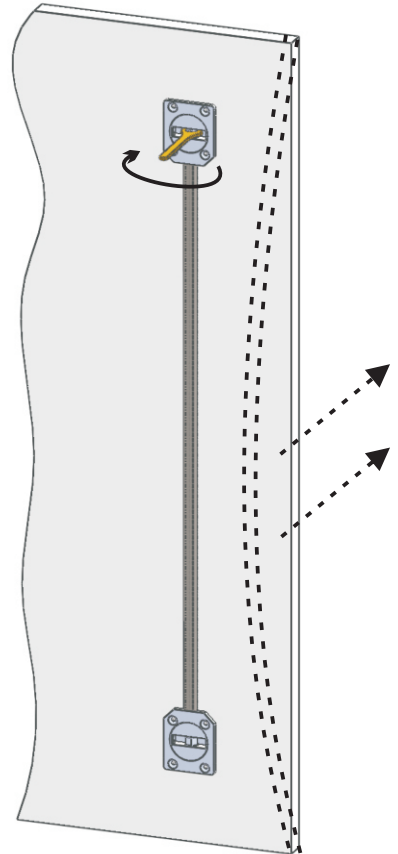
**b**



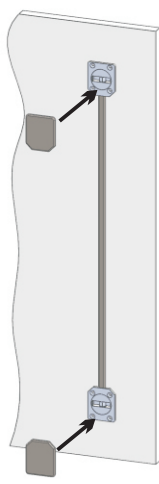
**c1**



**c2**



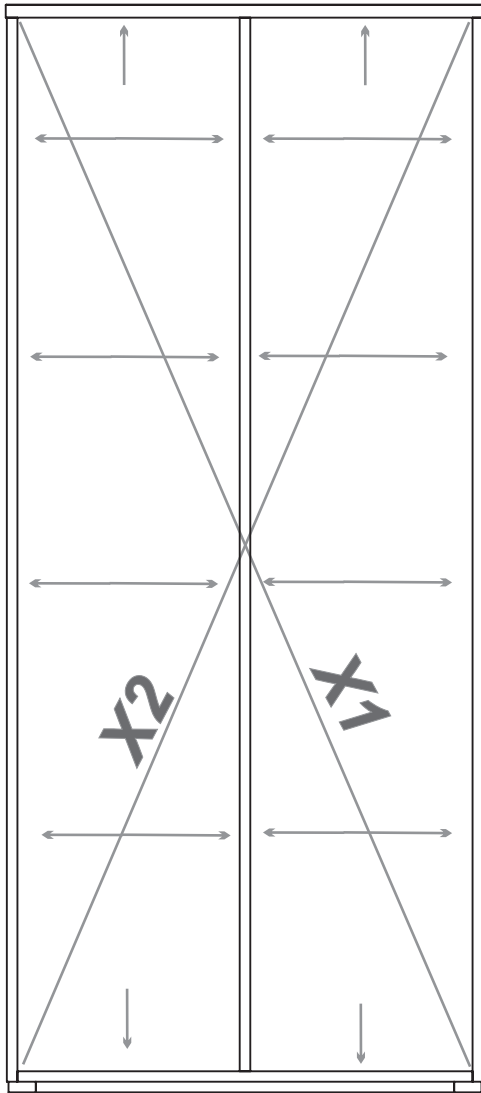
**d**



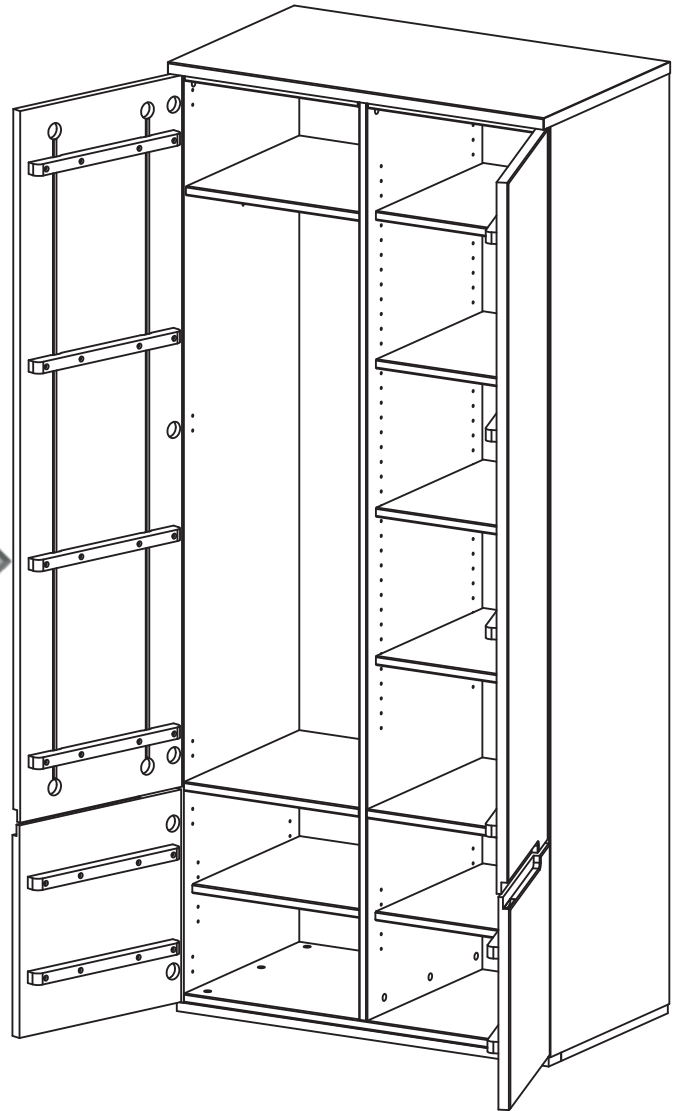
**e**







$X1 = X2$



13

