















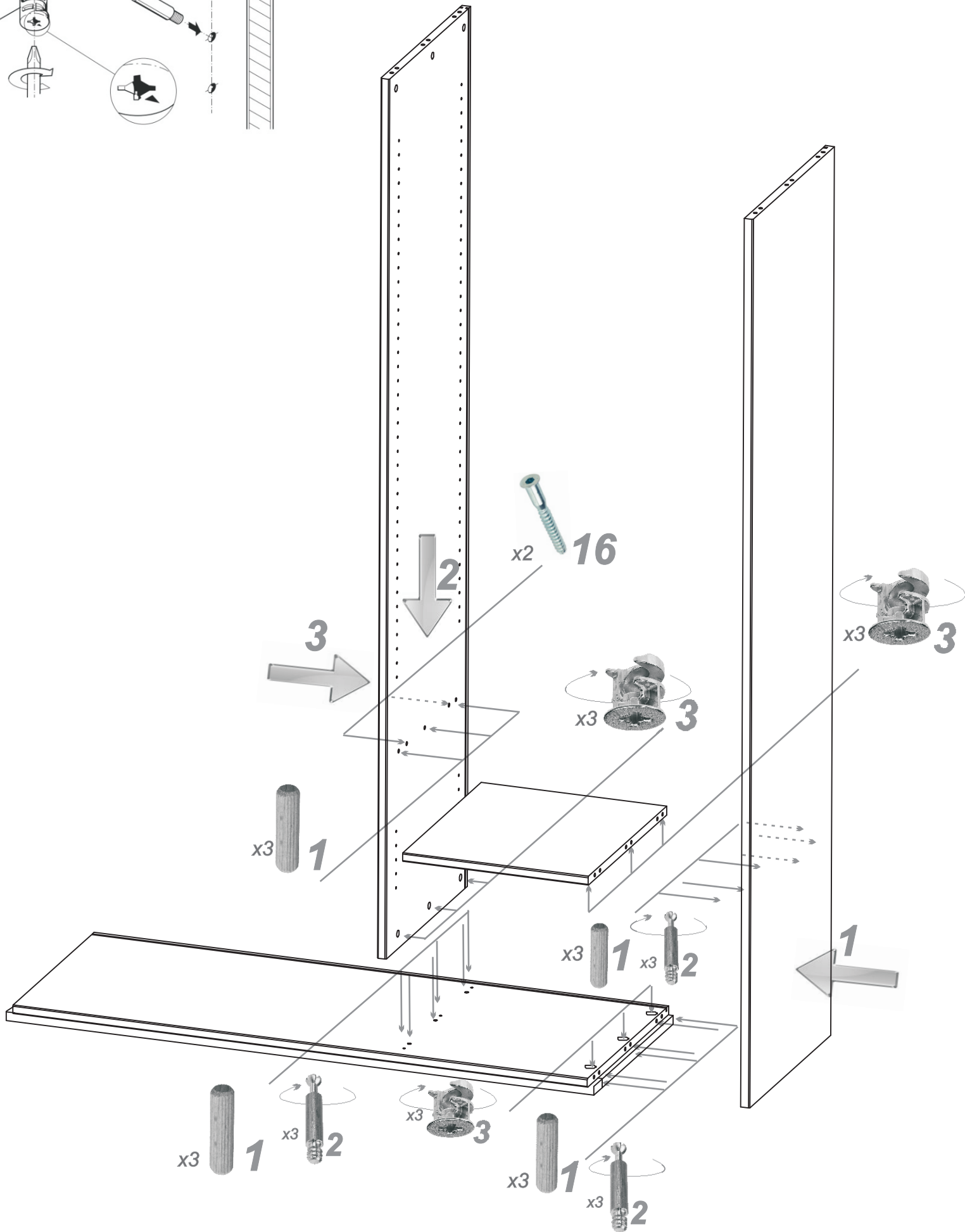
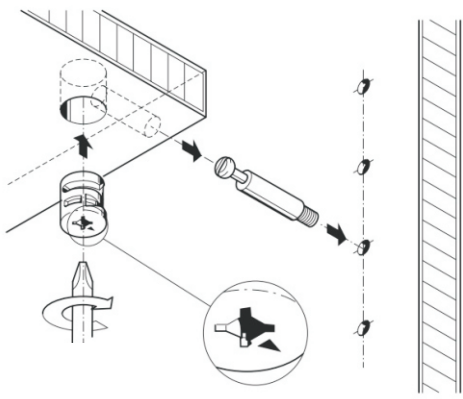
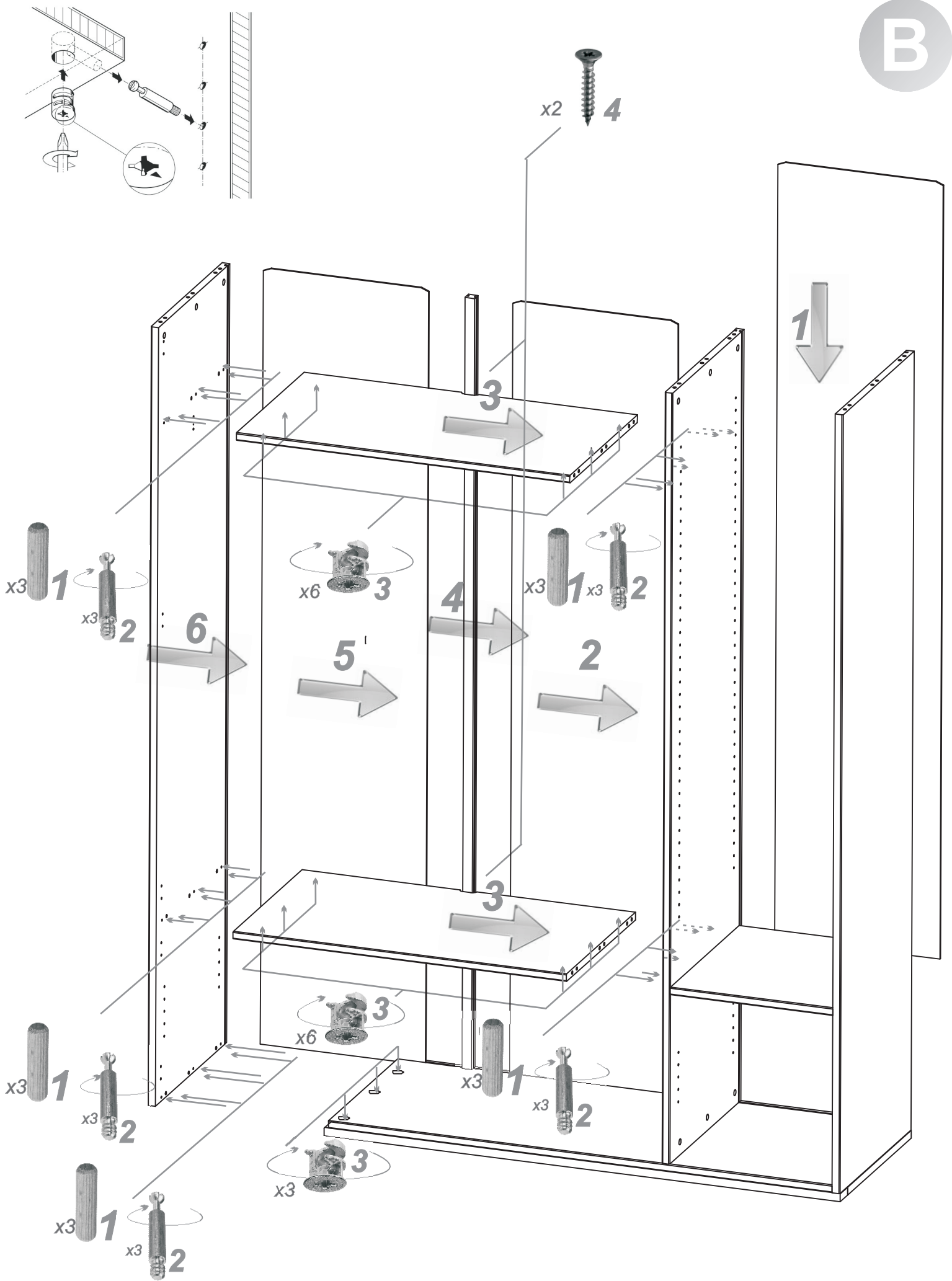
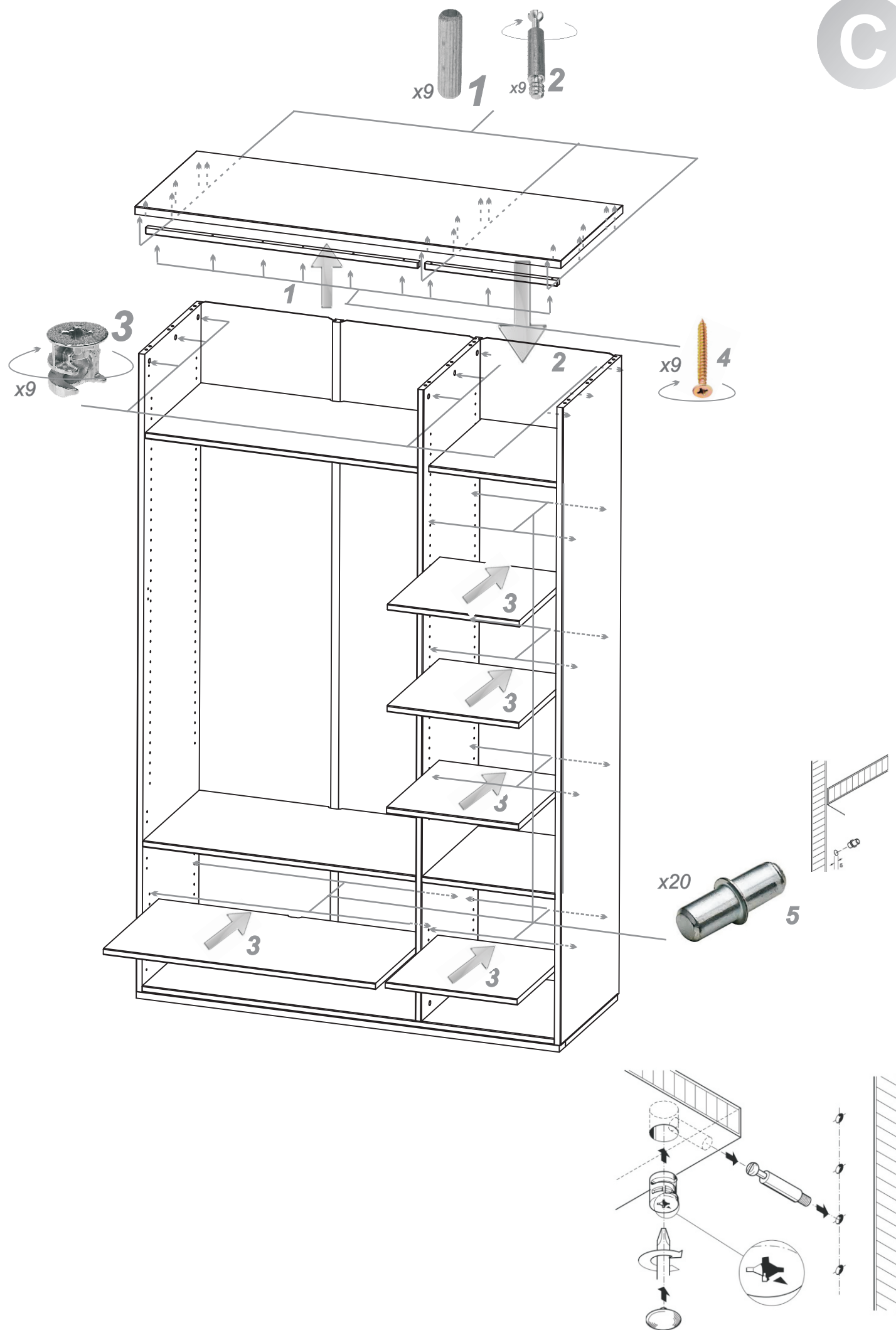
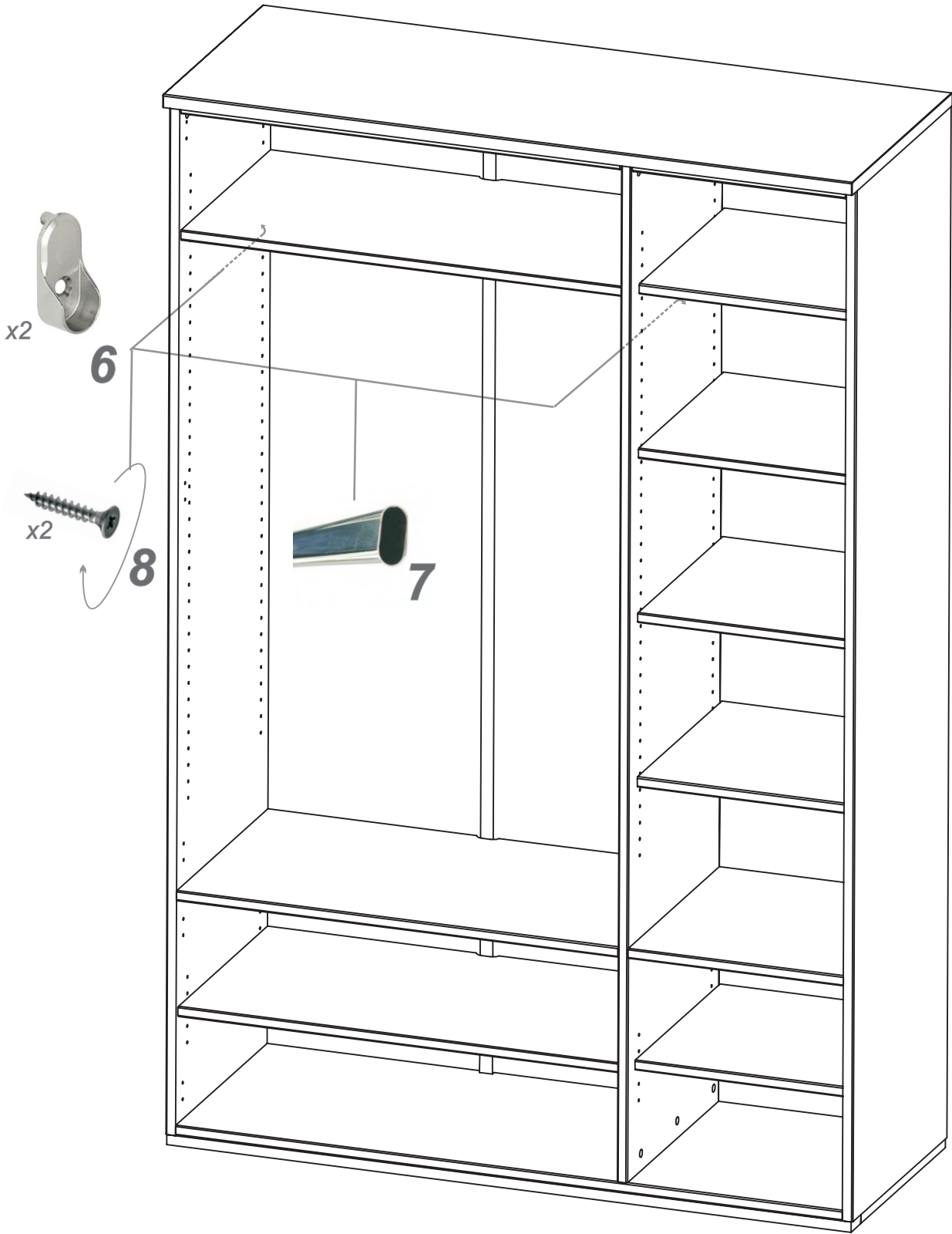


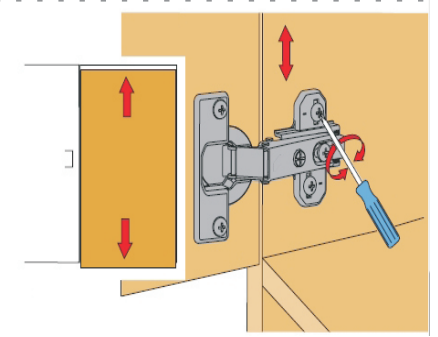
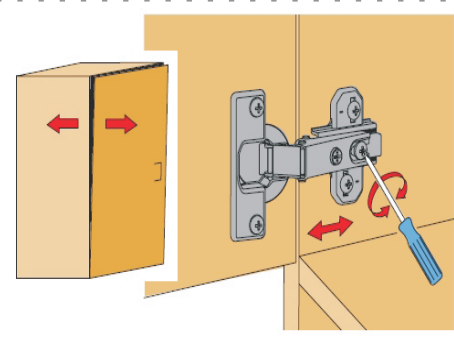
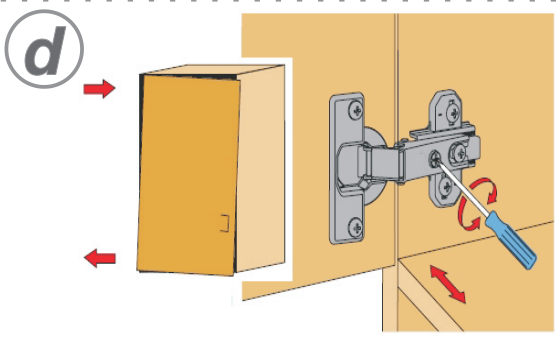
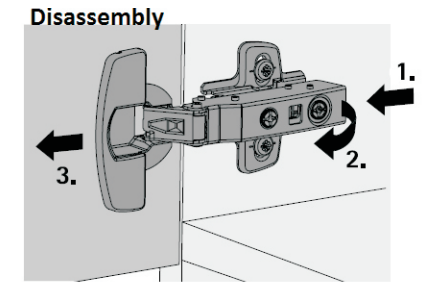
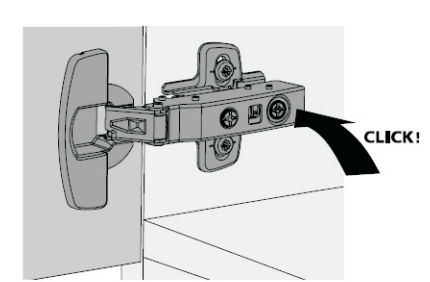
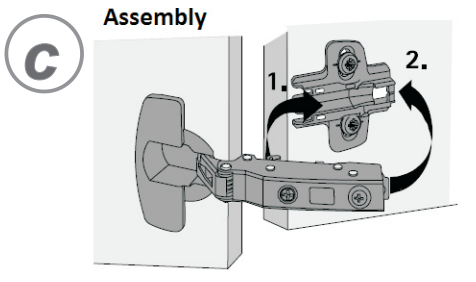
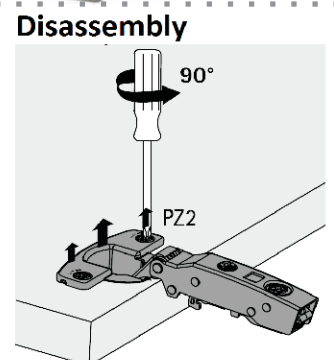
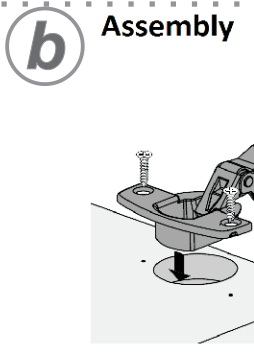
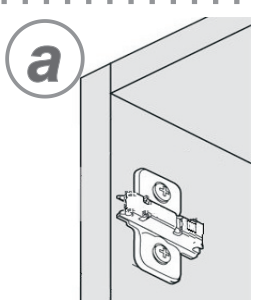
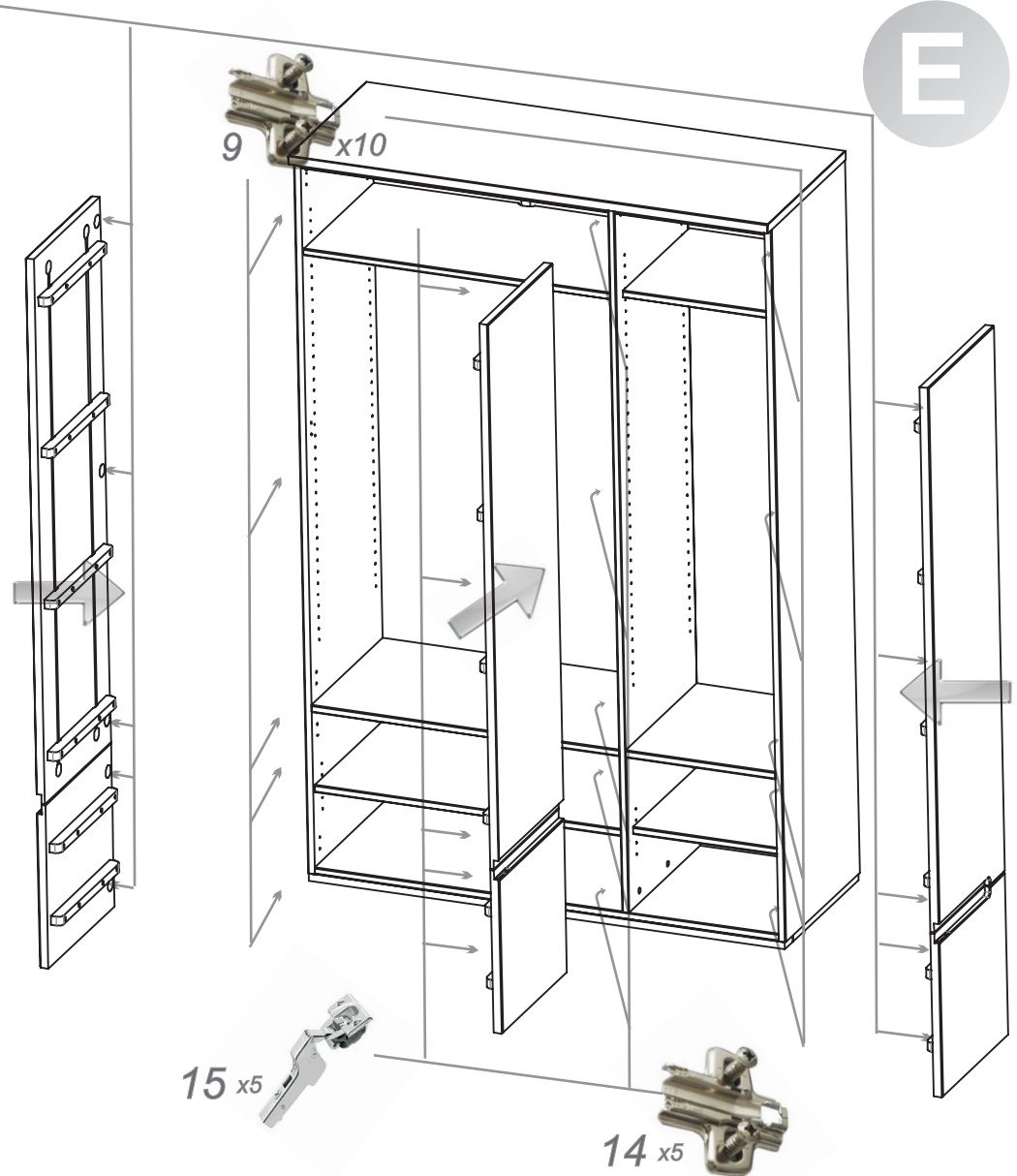
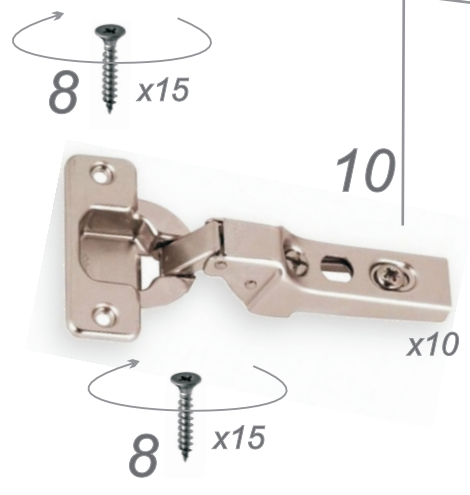
01 Ø8x40  x 36	02  x 33	03  x 33	04 Ø4,5x35  x 11	05  x 20	06  x 2	07  x 1	08 Ø4x16  x 32
09 H-0  x 10	10  x 10	11  x 30	12  x 1	13 S4  x 1	14 H-2  x 5	15  x 5	16 Ø7x50  x 2



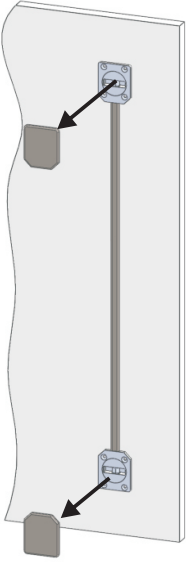




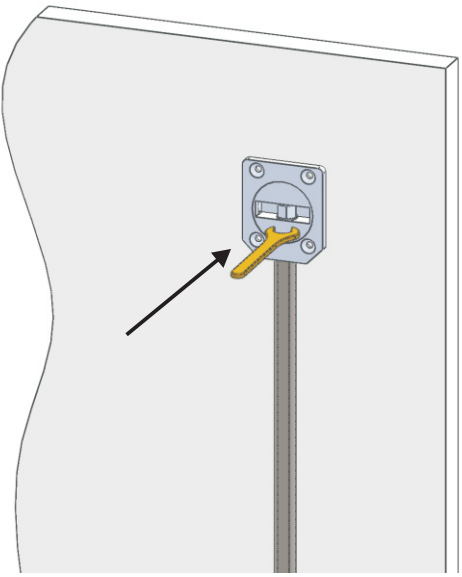




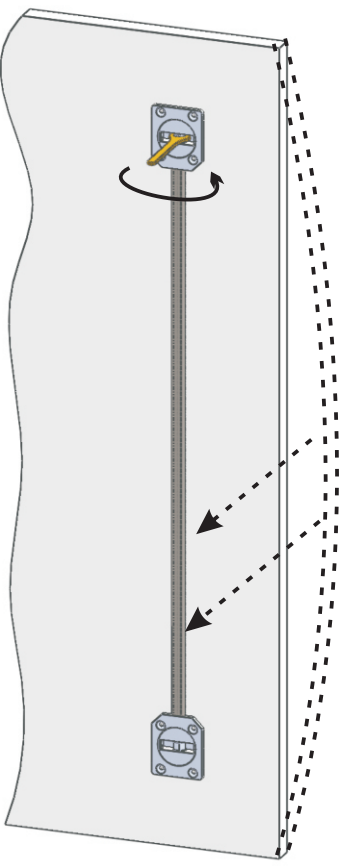
a



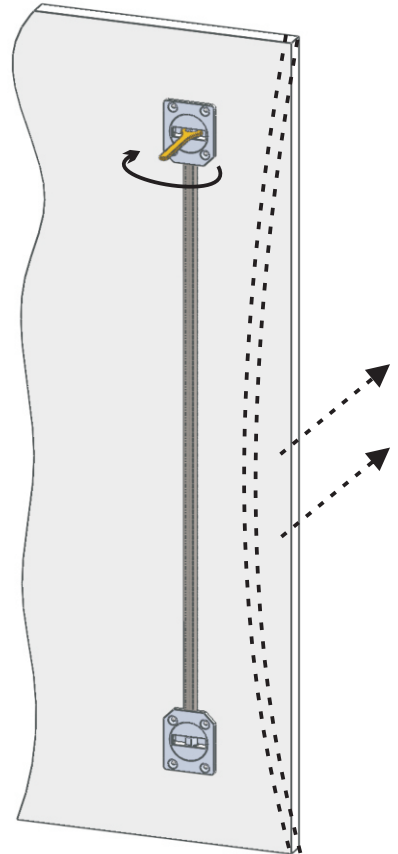
b



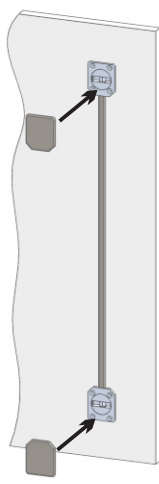
c1



c2

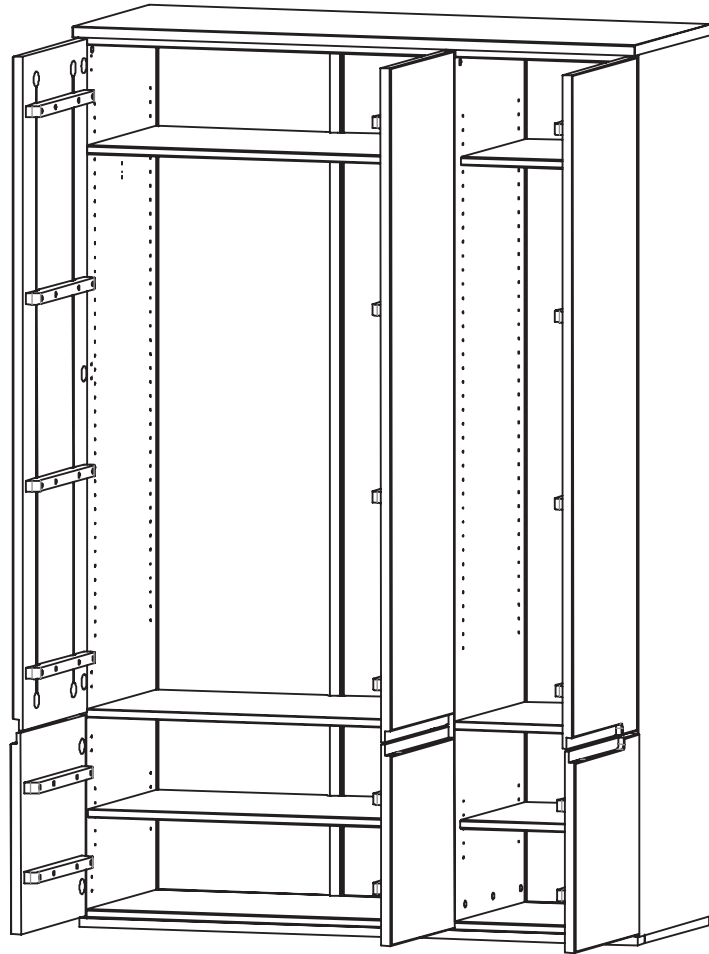
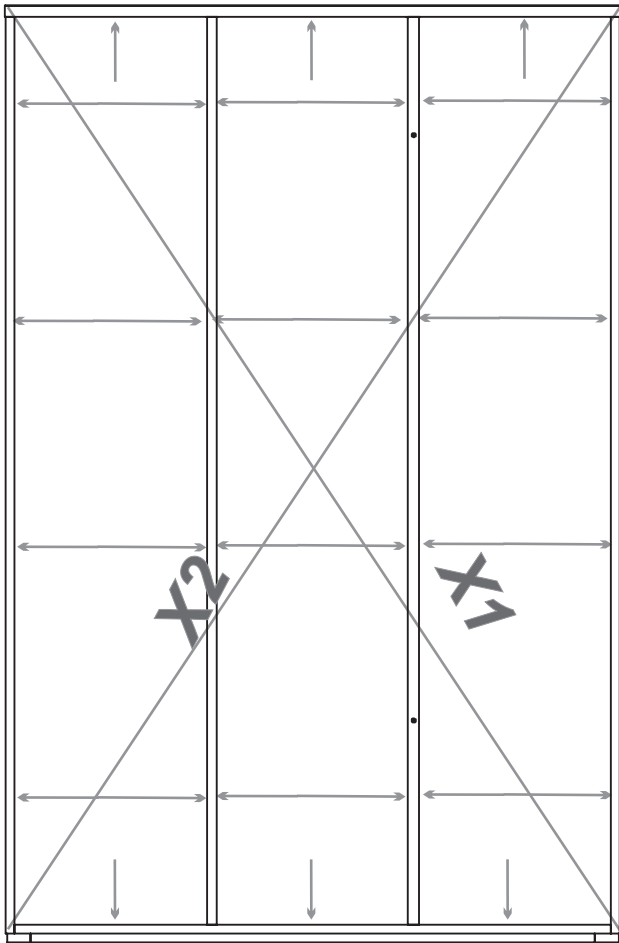


d



e





$X1 = X2$

