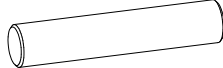
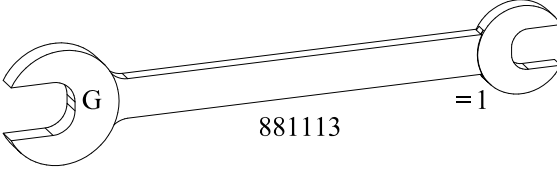
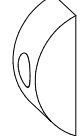


1

A  = 8  
826039

B  = 8  
771050


G  = 1  
881113

C  = 8

867165

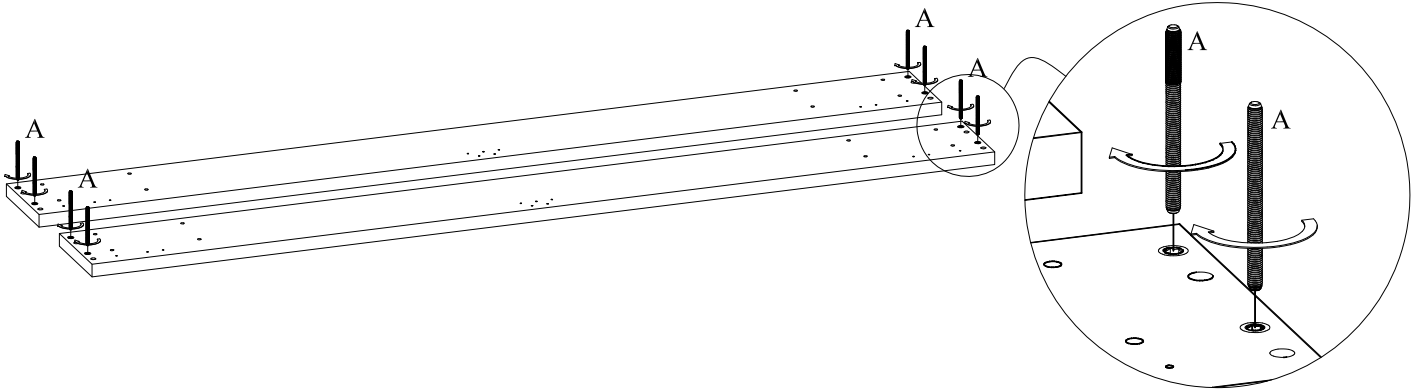
D  = 8

826556

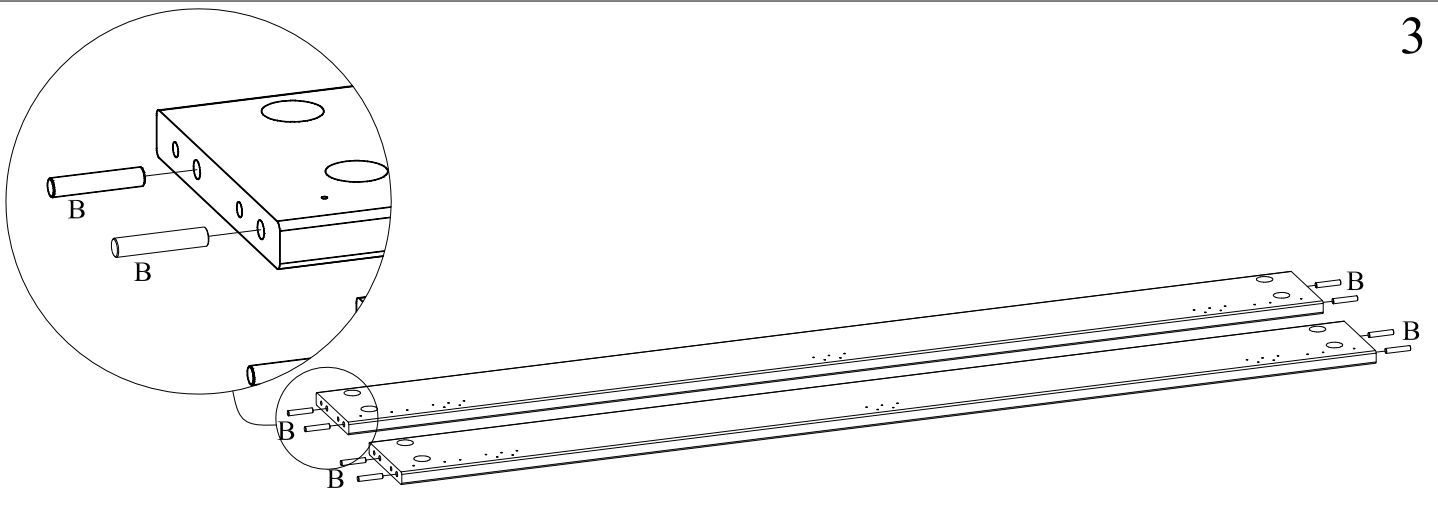
E  = 8

826571

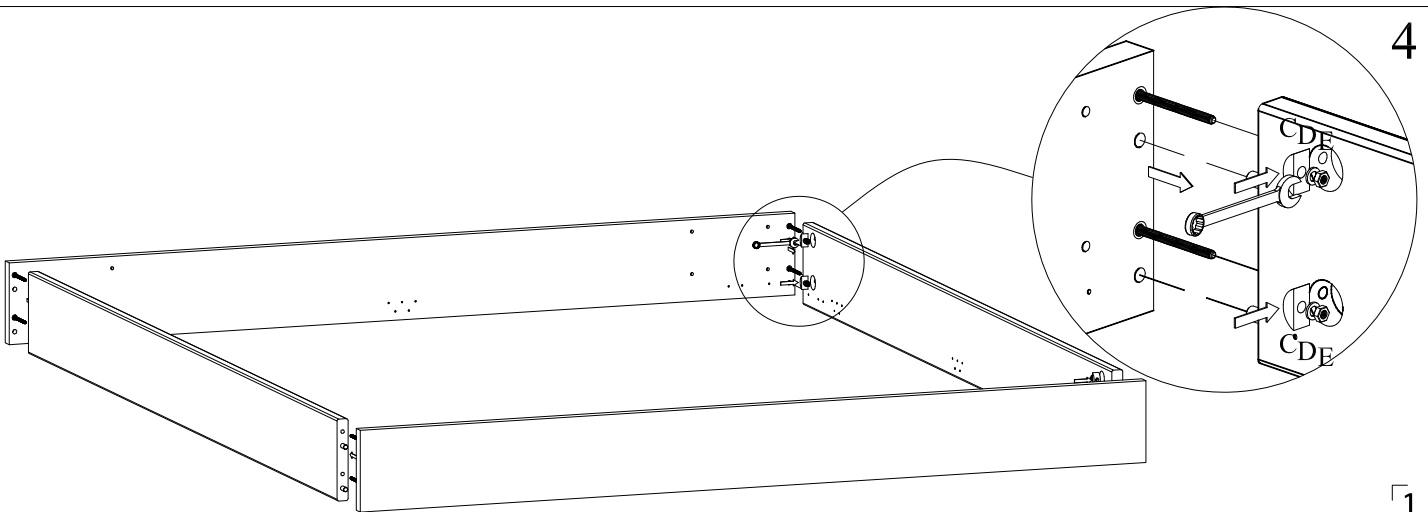
2



3



4



1

