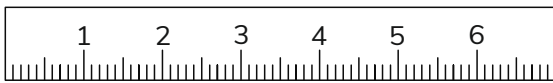
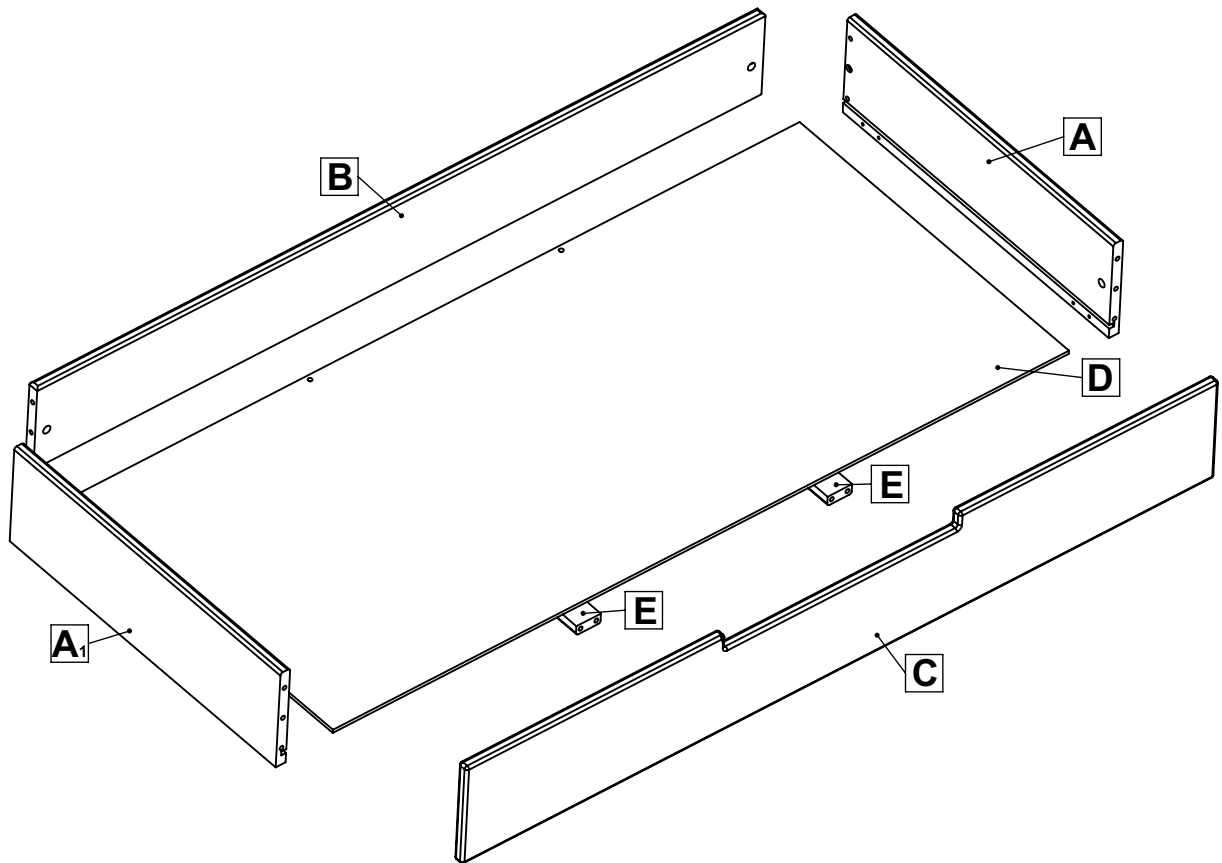
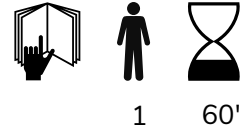
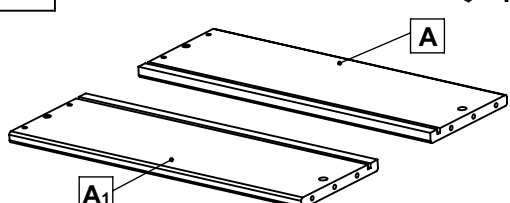
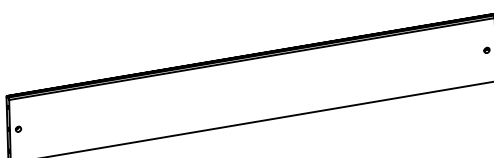
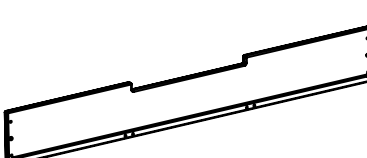
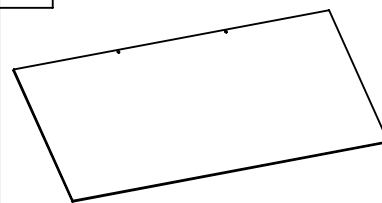
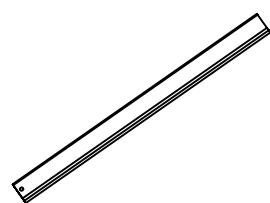
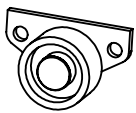
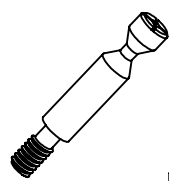


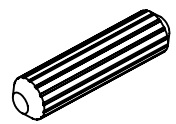
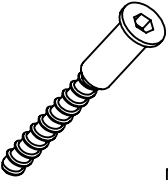

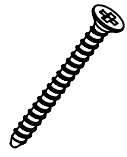

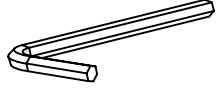


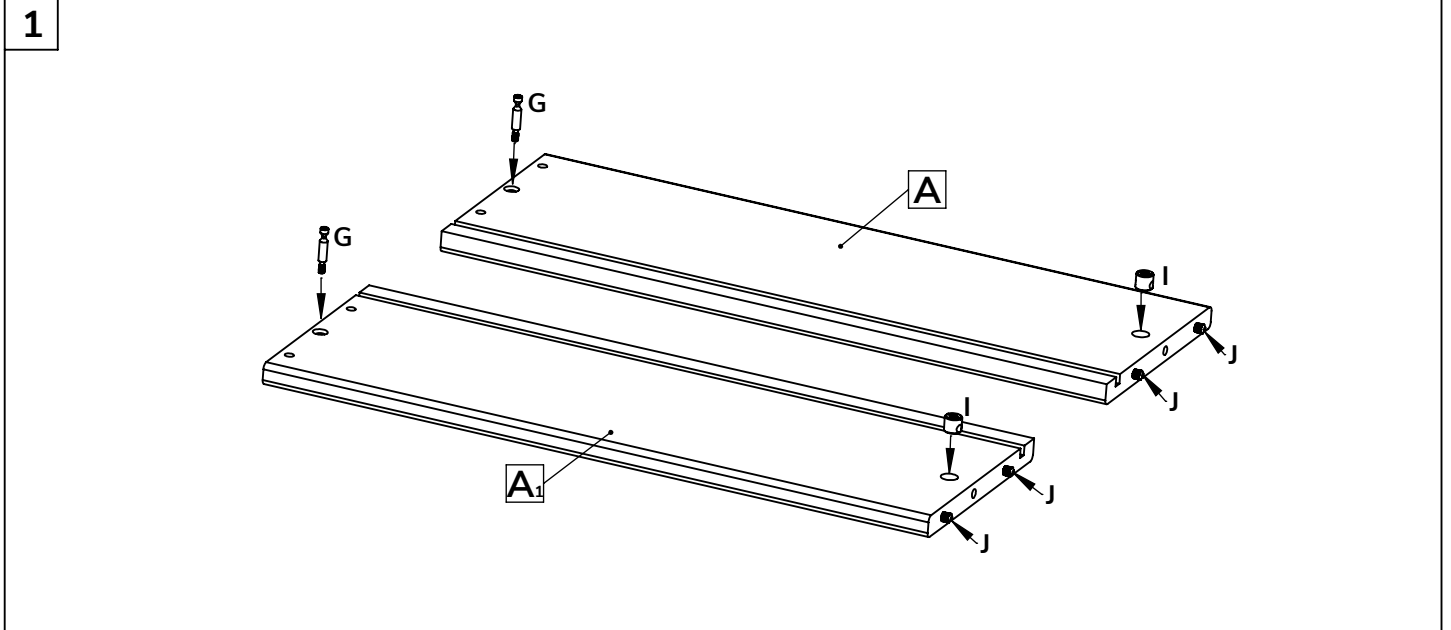
# Montageanleitung Assembly instructions

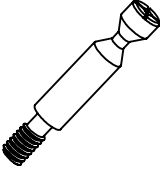
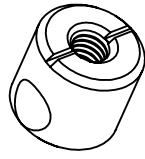
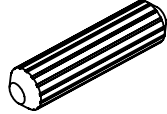


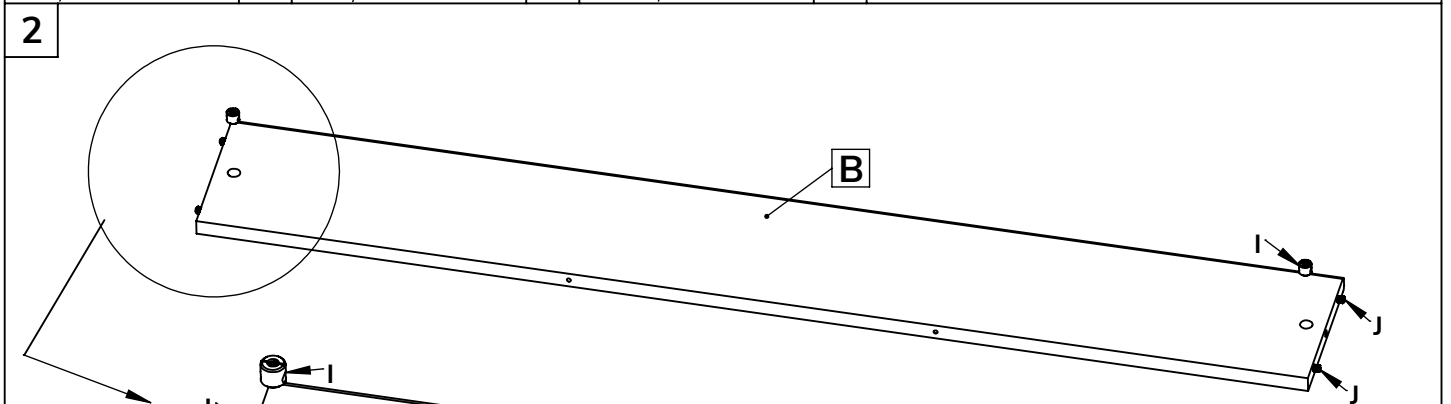
<p><b>A+A<sub>1</sub></b></p>  <p>67x20x2</p> <p>2</p>	<p><b>B</b></p>  <p>149x17.2x2</p> <p>1</p>	
<p><b>C</b></p>  <p>154x20.6x2</p> <p>1</p>	<p><b>D</b></p>  <p>150.6x67.8x0.8</p> <p>1</p>	<p><b>E</b></p>  <p>67x5x1.8</p> <p>2</p>


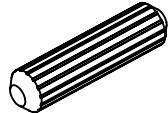
<b>F</b>  KB 31 <b>4</b>	<b>G</b>  $\phi$ 7.5X28.5 <b>4</b>	<b>H</b>  M6x8 <b>4</b>	<b>I</b>  $\phi$ 10x12.5 <b>4</b>	<b>J</b>  $\phi$ 8x32 <b>12</b>
--	--	---	---	---

<b>K</b>  7x50 <b>2</b>	<b>L</b>  4x16 <b>8</b>	<b>M</b>  4x20 <b>2</b>	<b>N</b>  40x18x11 <b>2</b>	<b>O</b>  Sw4 <b>1</b>
---	---	---	---	--

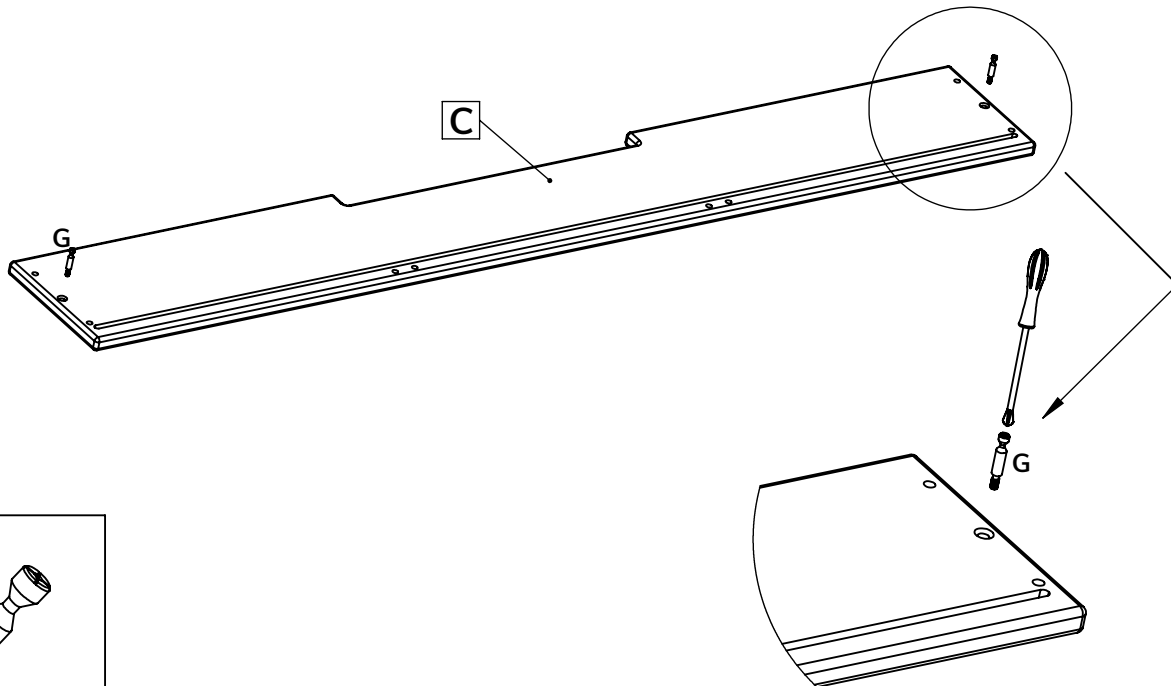


<b>G</b>  $\phi$ 7.5X28.5 <b>2</b>	<b>I</b>  $\phi$ 10x12.5 <b>2</b>	<b>J</b>  $\phi$ 8x32 <b>4</b>
--	---	--

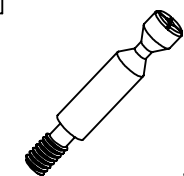


<b>I</b>  $\phi$ 10x12.5 <b>2</b>	<b>J</b>  $\phi$ 8x32 <b>4</b>
---	--

3



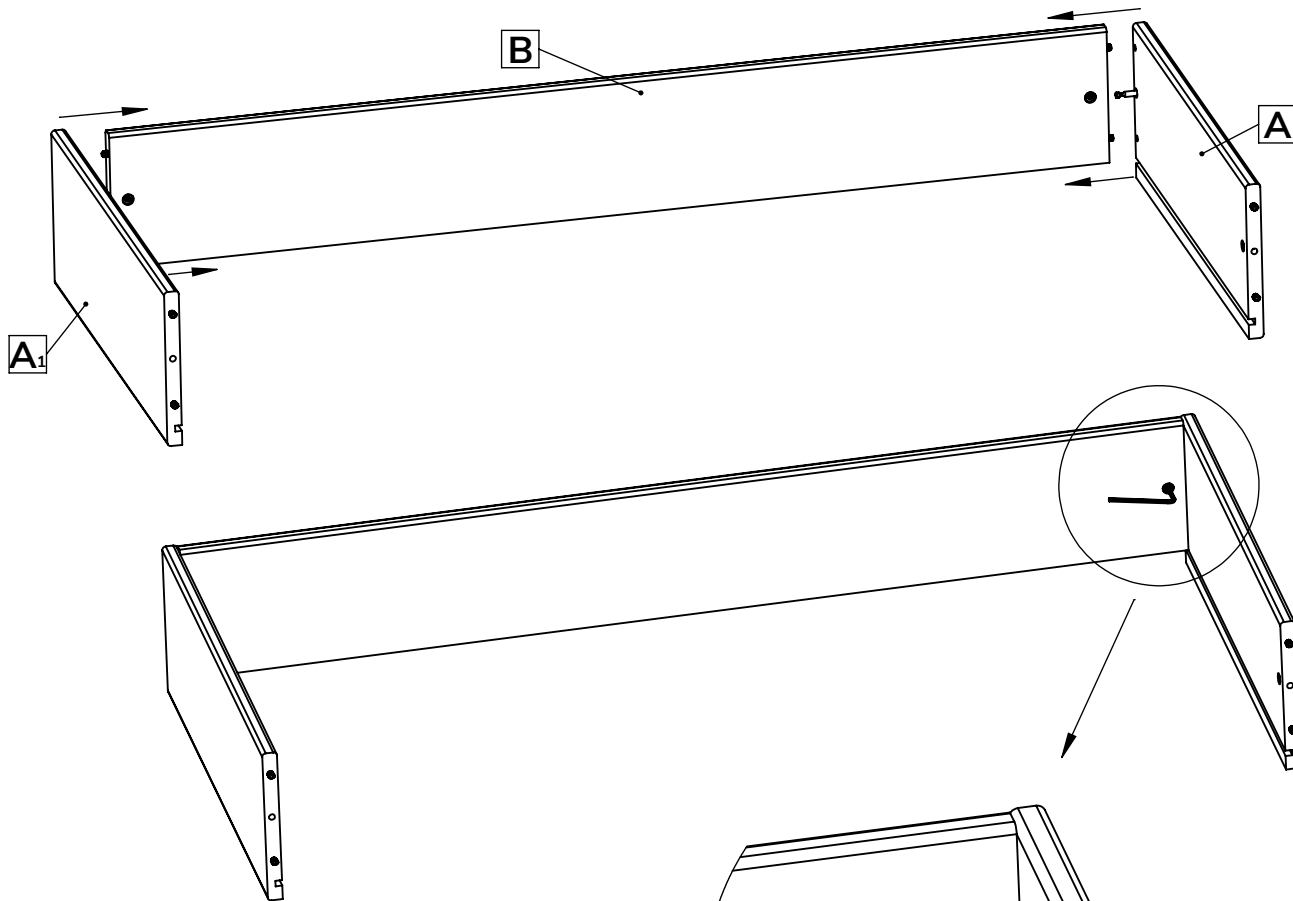
G



Ø 7.5X28.5

2

4



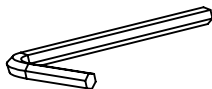
H



M6x8

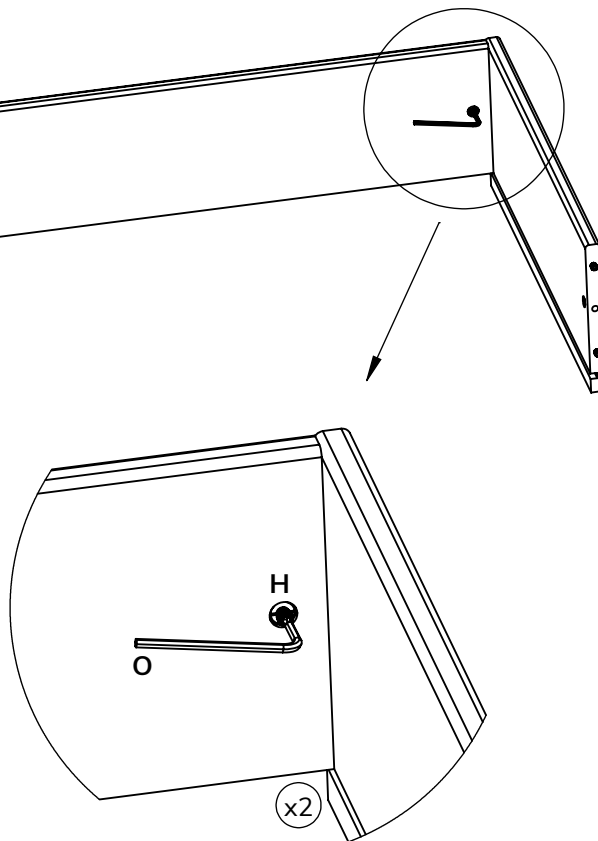
2

O

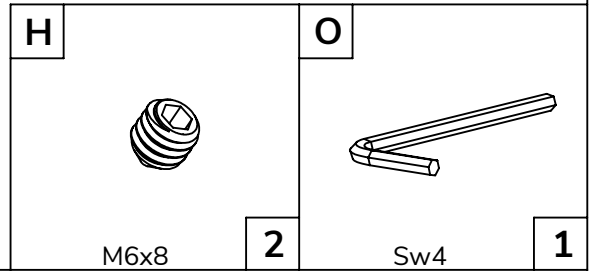
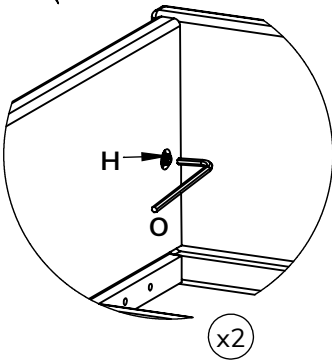
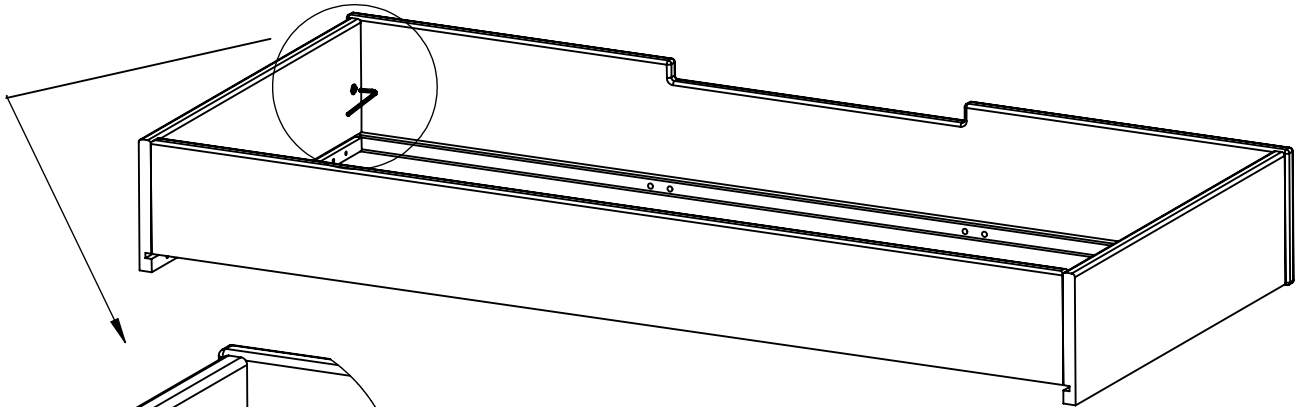
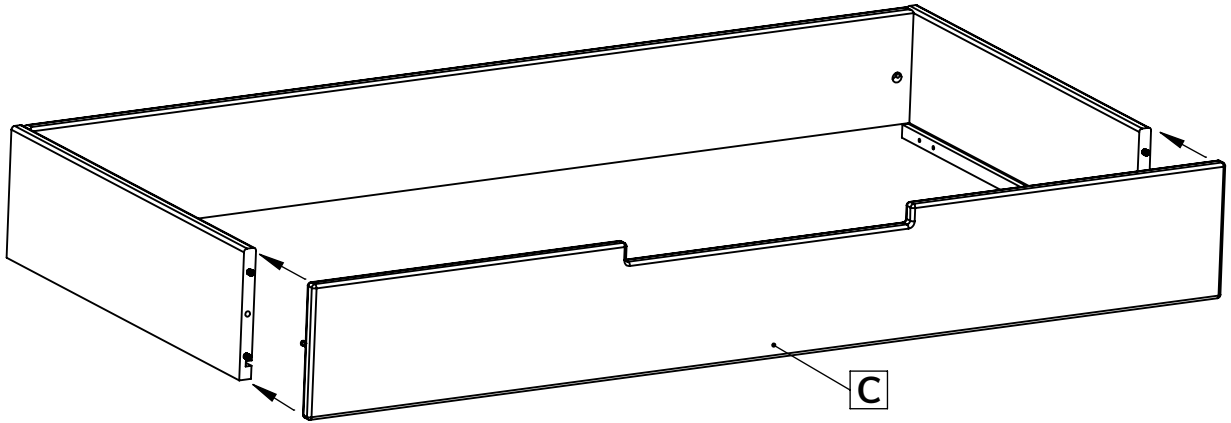


Sw4

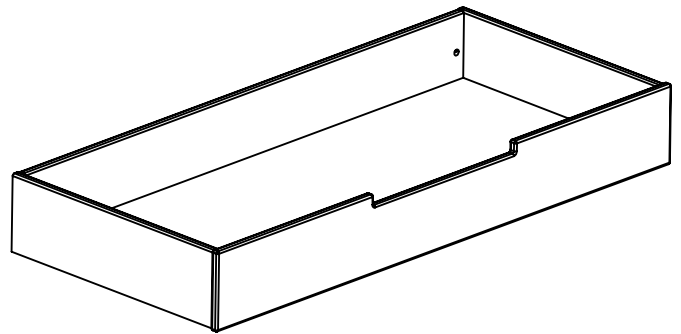
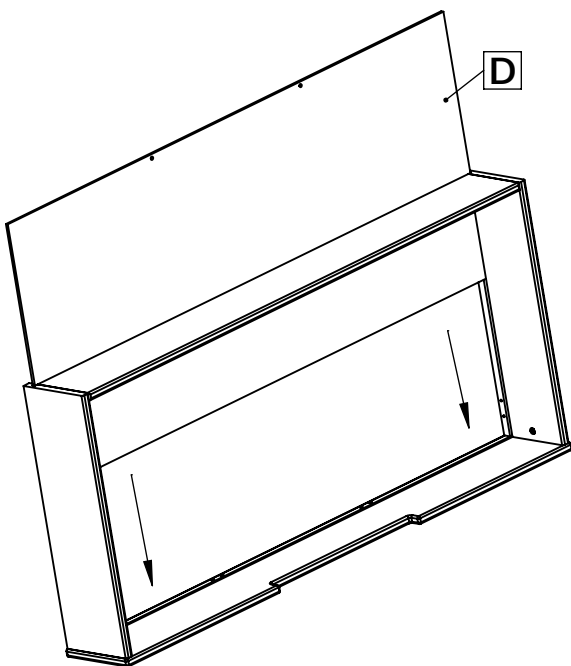
1



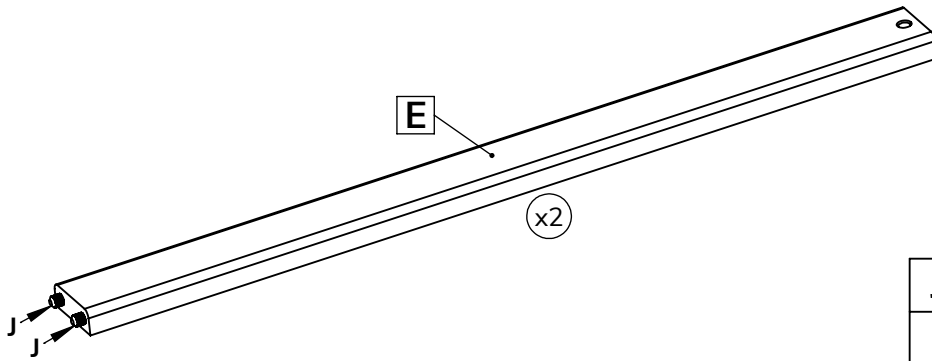
5



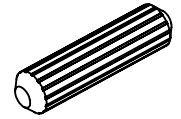
6



7



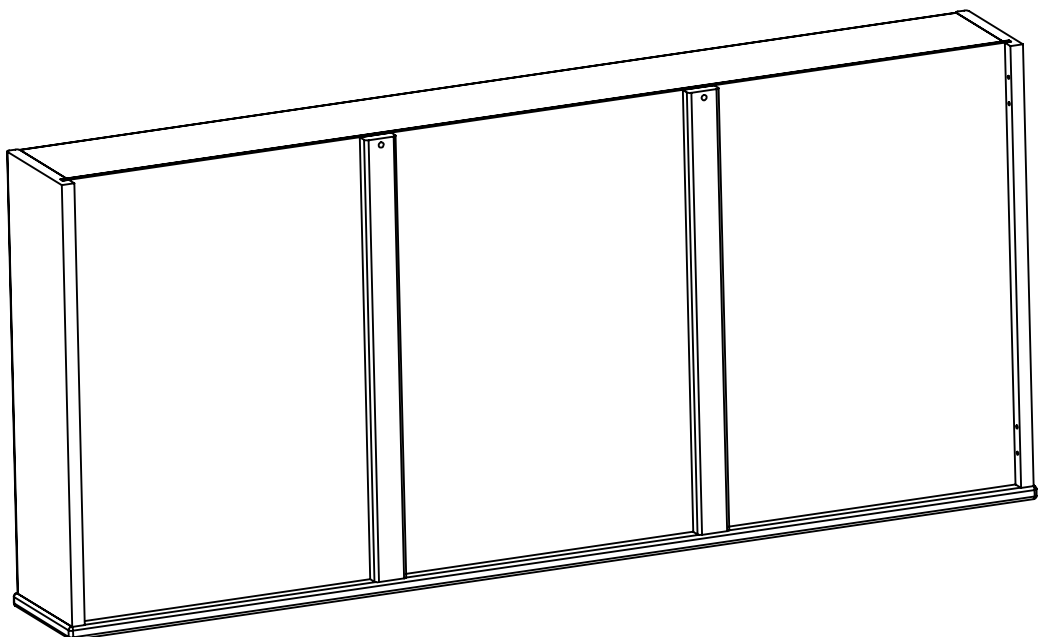
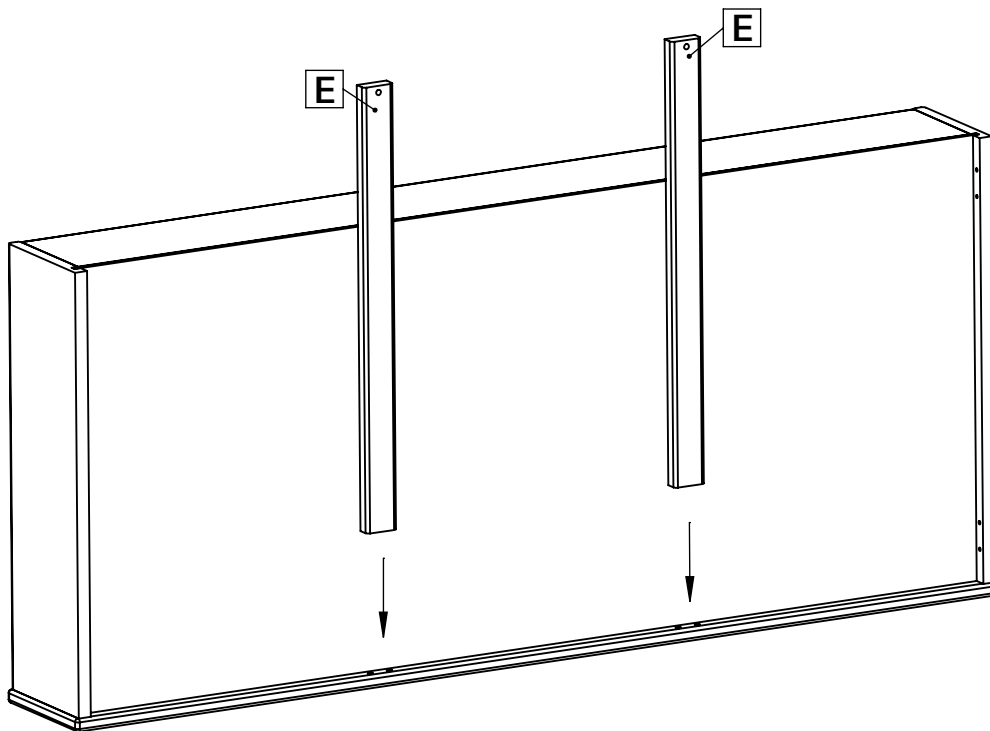
J



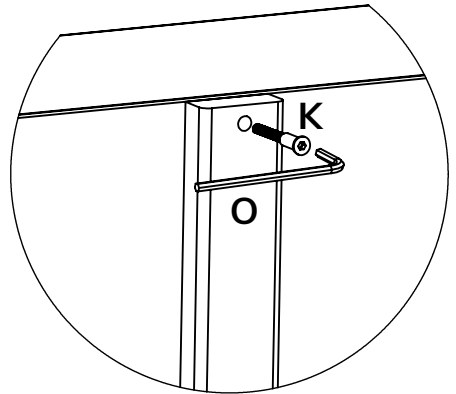
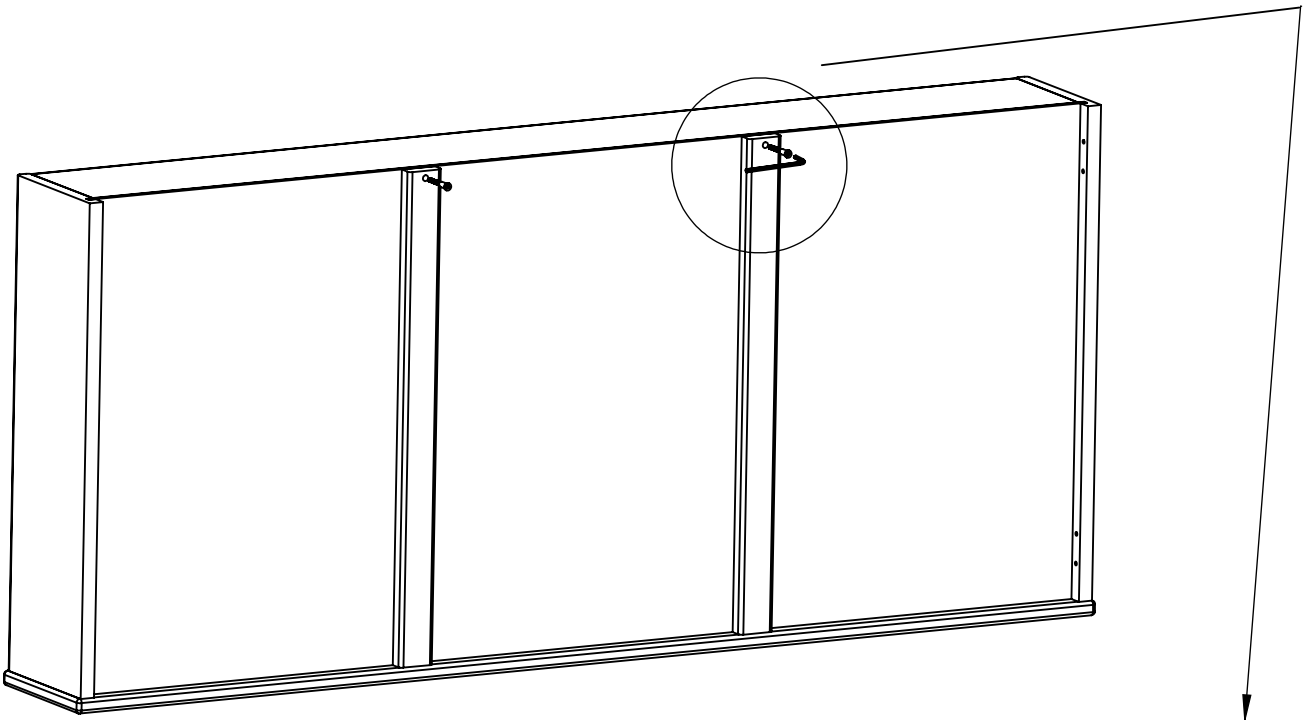
Ø 8x32

4

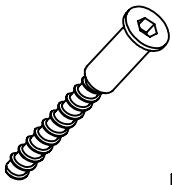
8



9



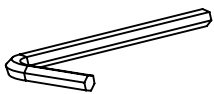
K



7x50

2

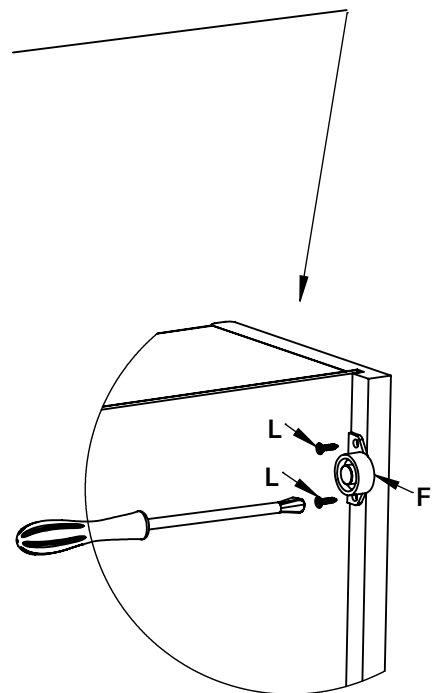
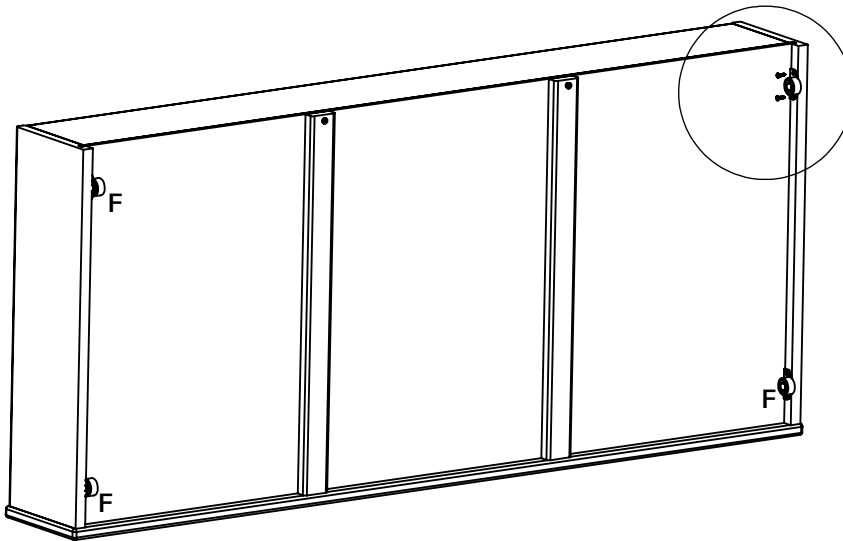
O



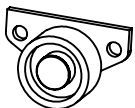
Sw4

1

10



F



KB 31

4

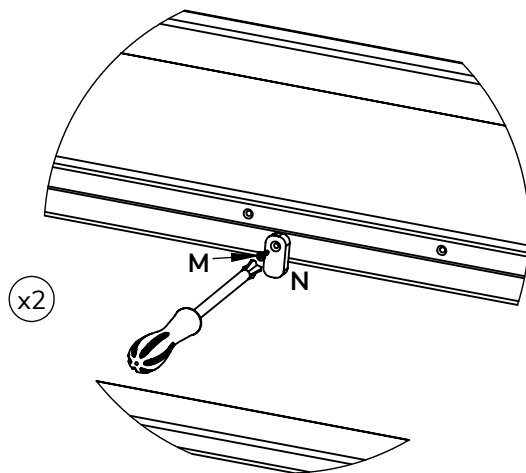
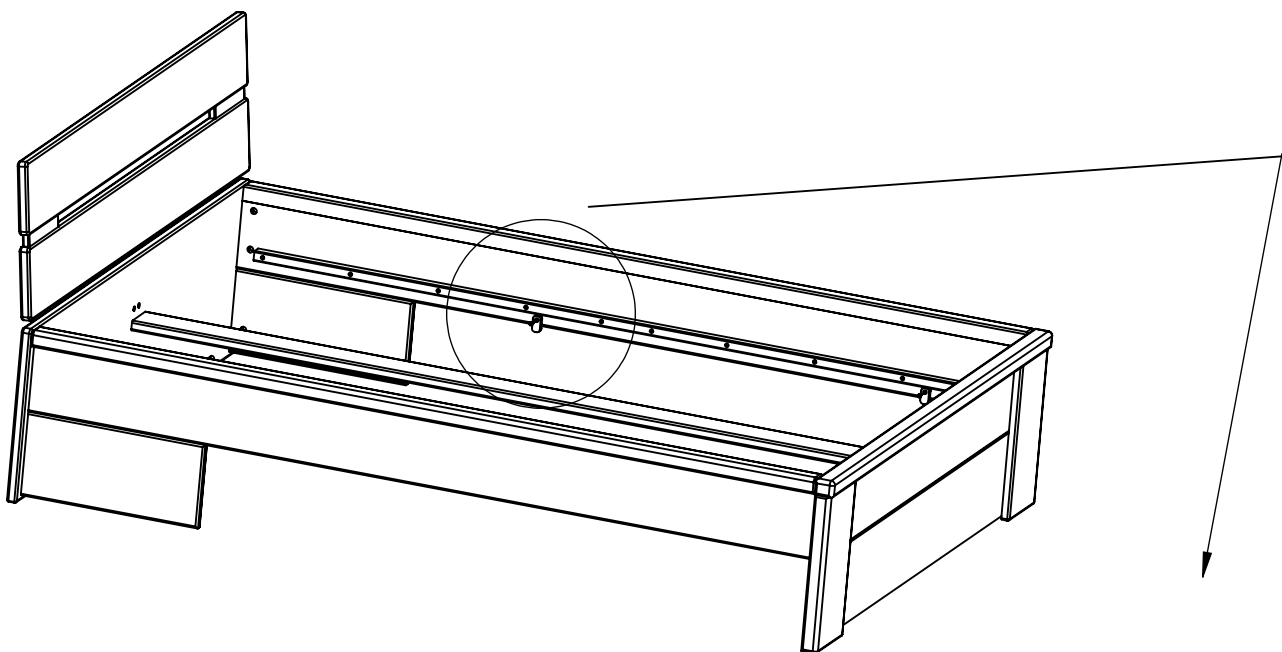
L



4x16

8

11



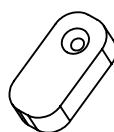
M



4x20

2

N



40x18x11

2

12

