

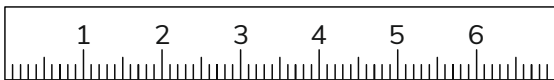
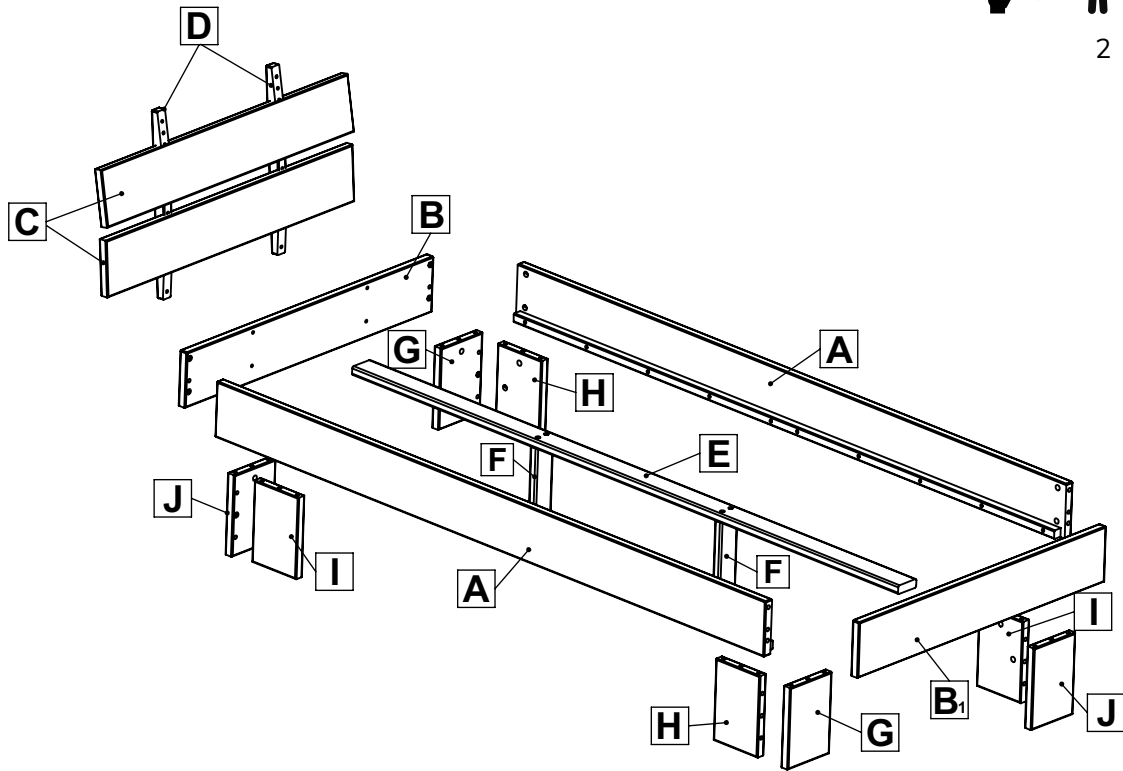
# Montageanleitung Assembly instructions

## Massivholzbett aus Wildeiche

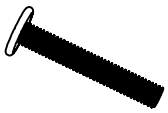
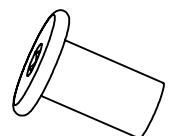


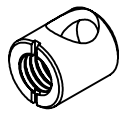
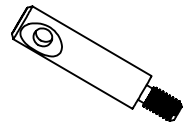

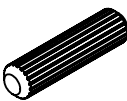
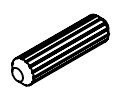
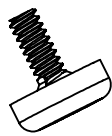
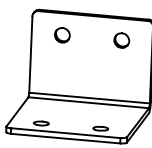

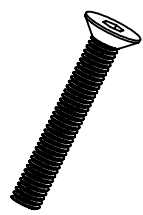
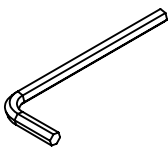
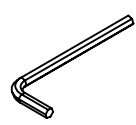


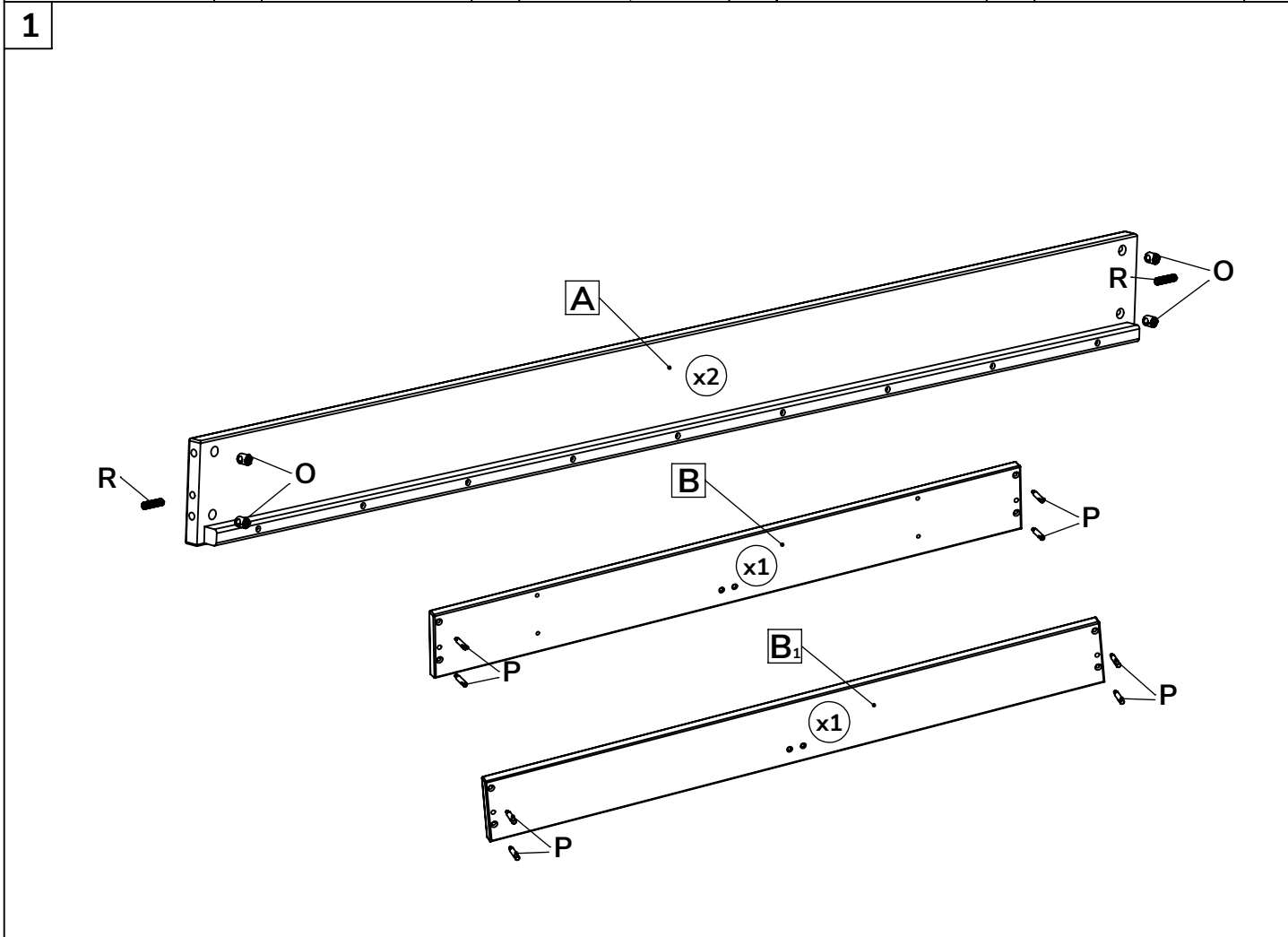
2

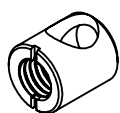
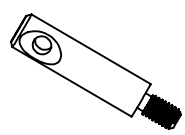
60'

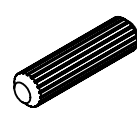


<b>A</b>  200x16x2 2	<b>B</b>  144/164/184/204x16x2 1	<b>B<sub>1</sub></b>  144/164/184/204x16x2 1	<b>C</b>  144/164/184/204x16x2 2	<b>D</b>  53x3.5x3 2	
<b>E</b>  199x7x2.5 1	<b>F</b>  23x6.5x2.5 2	<b>G</b>  23.5x16x2 2	<b>H</b>  23.5x16x2 2	<b>I</b>  23.5x16x2 2	<b>J</b>  23.5x16x2 2

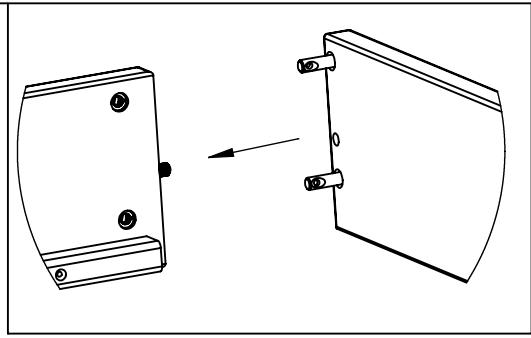
<b>K</b>  M6x40, ISK4 4	<b>L</b>  M6x15, ISK4 4	<b>M</b>  SG7x50, ISK4 2	<b>N</b>  SG7x40, ISK4 2	<b>O</b>  Ø 15x17 20
<b>P</b>  Ø 10x48.5, M6x11 20	<b>Q</b>  M10x10, ISK5 20	<b>R</b>  Ø 10x40 28	<b>S</b>  Ø 8x32 8	<b>T</b>  M6x20, ISK4 2
<b>U</b>  70x50x65 2	<b>V</b>  M6x16, ISK4 8	<b>W</b>  M6x40, ISK4 4	<b>X</b>  Sw5 1	<b>Y</b>  Sw4 1



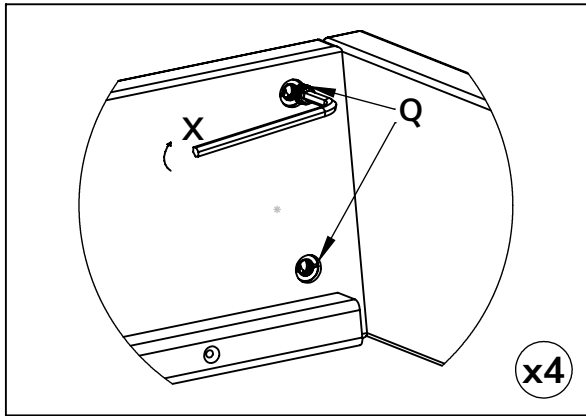
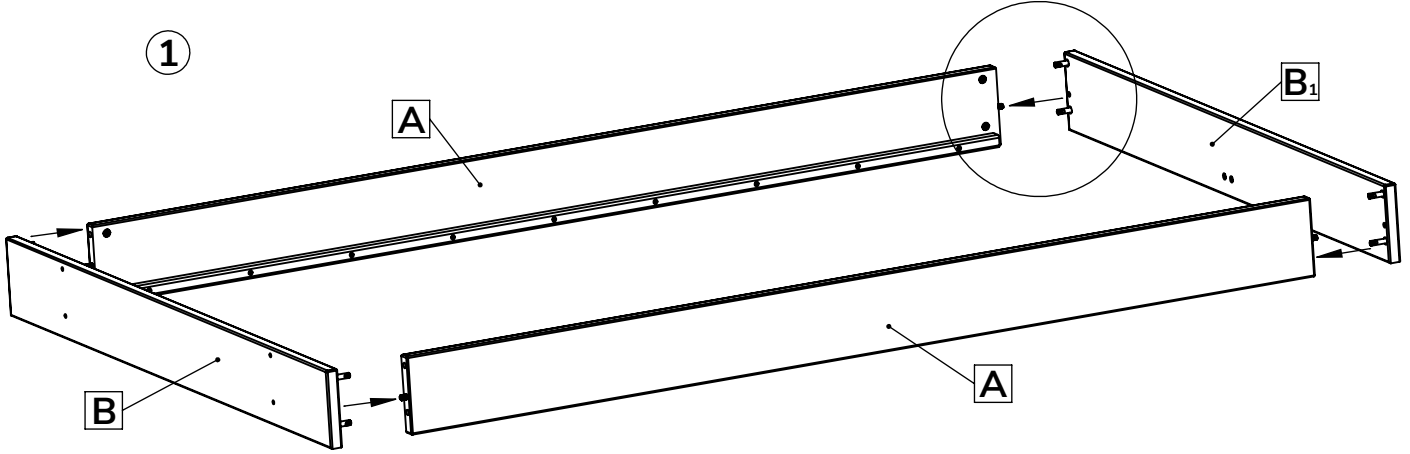
<b>O</b>  Ø 15x17 8	<b>P</b>  Ø 10x48.5, M6x11 8
---	--

<b>R</b>  Ø 10x40 4
---

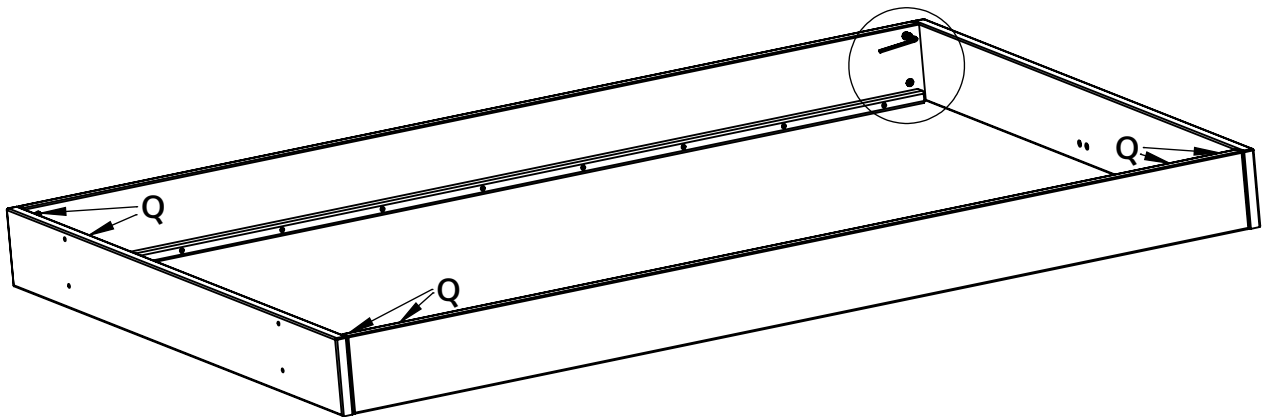
2


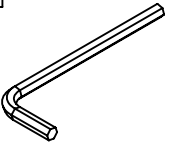


1

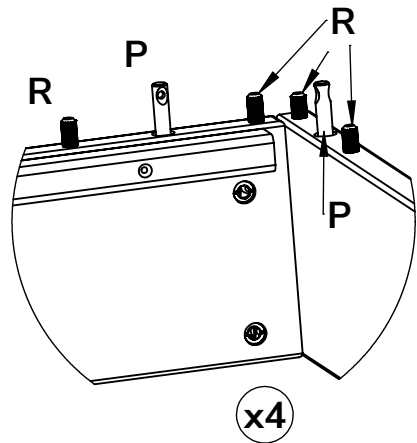
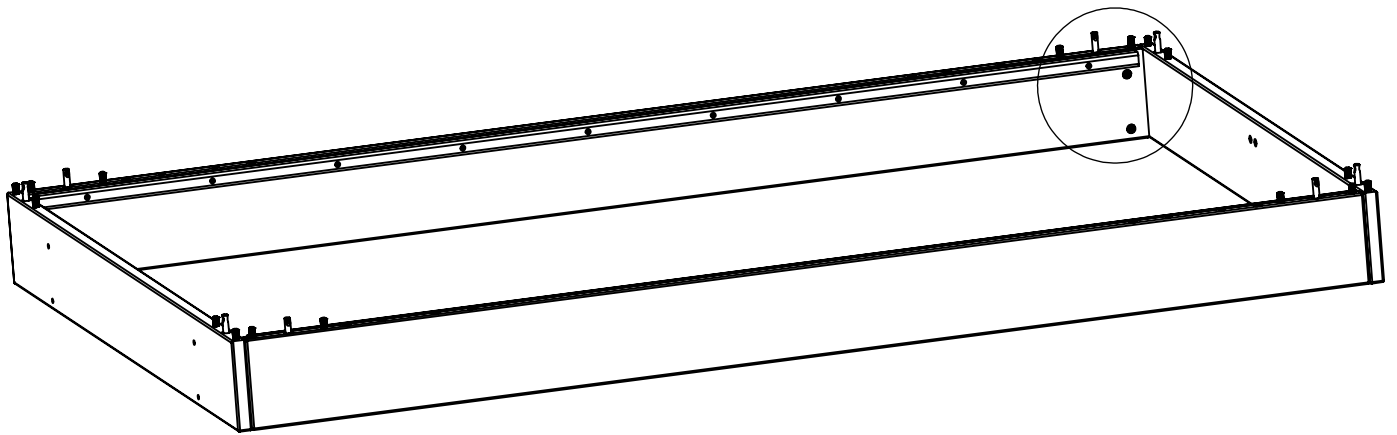


2

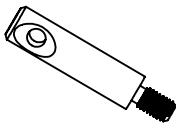


Q	X
	
M10x10, ISK5 8	Sw5 1

3



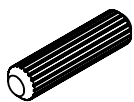
P



∅ 10x48.5, M6x11

8

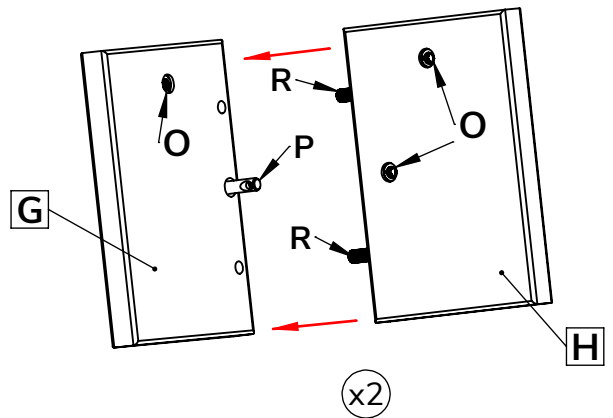
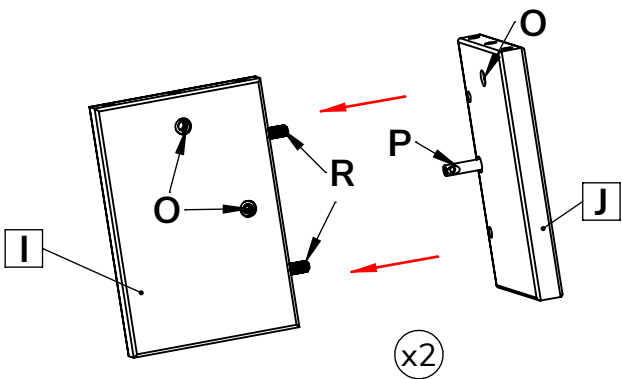
R



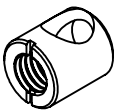
∅ 10x40

16

4



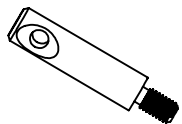
O



∅ 15x17

12

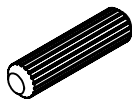
P



∅ 10x48.5, M6x11

4

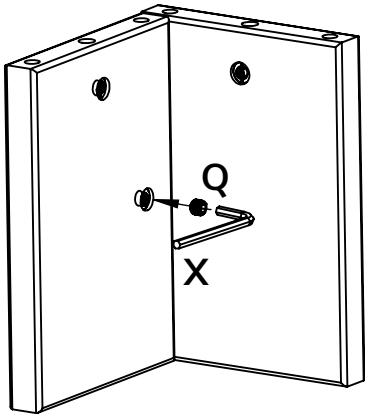
R



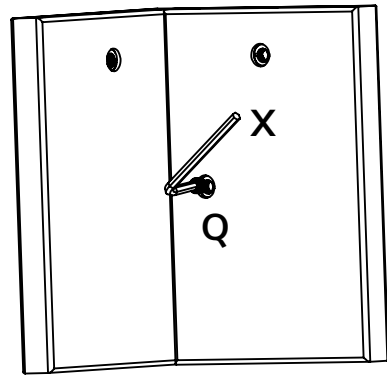
∅ 10x40

8

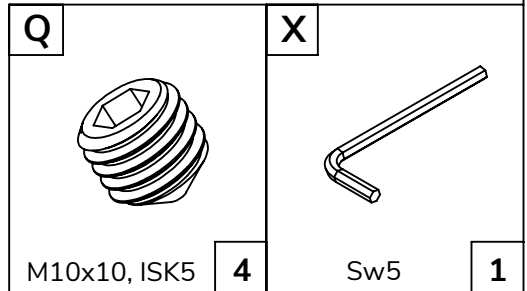
5



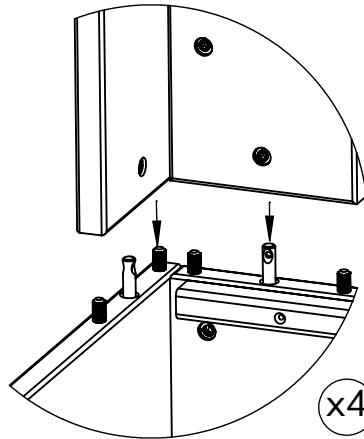
x2



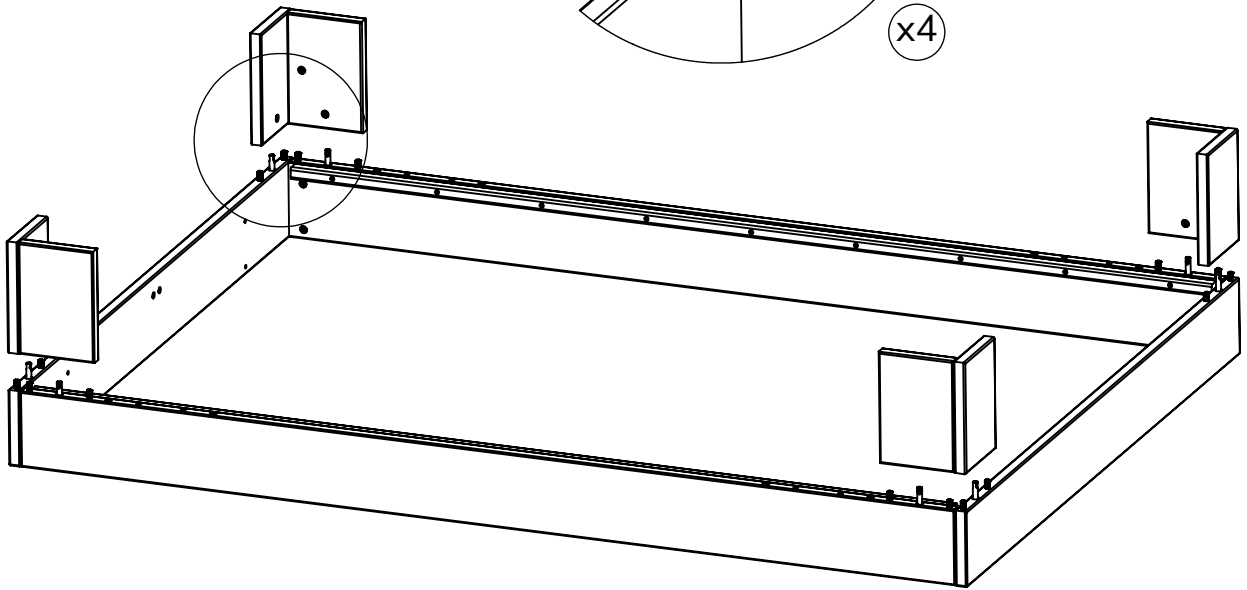
x2


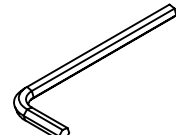


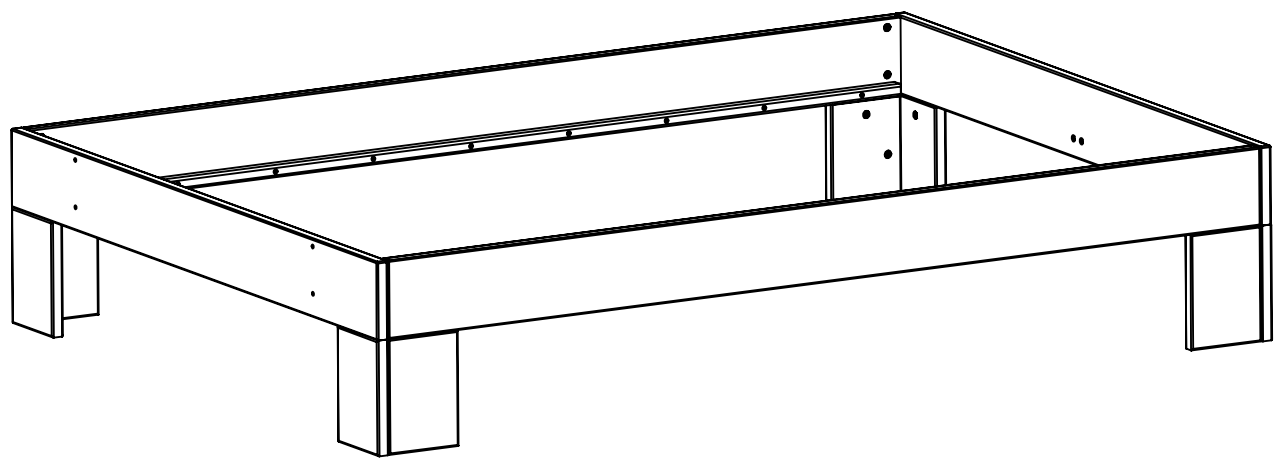
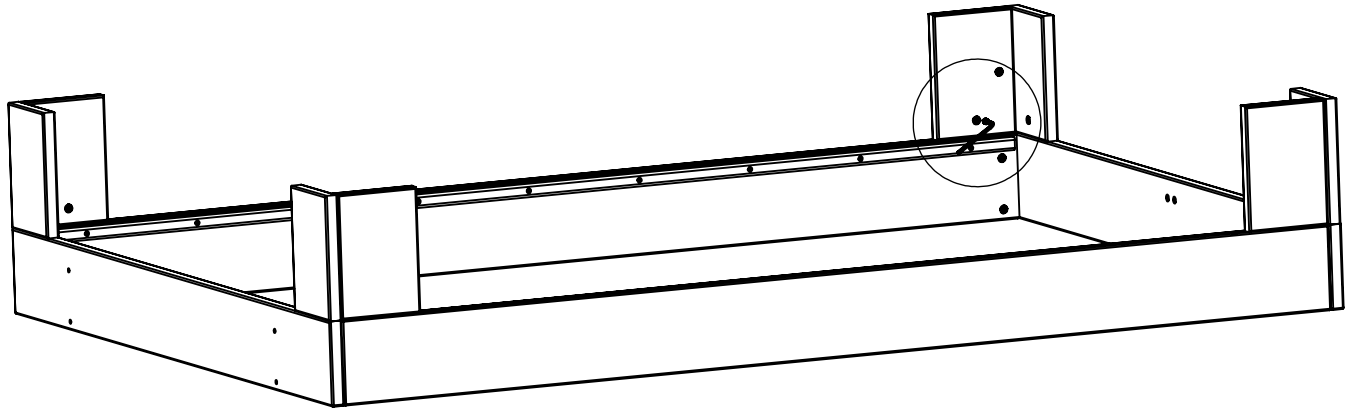
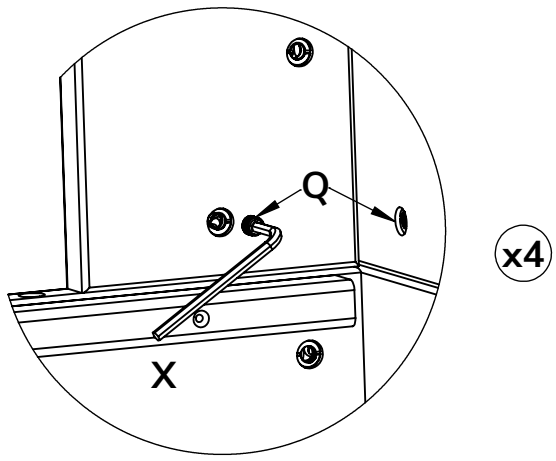
6



x4

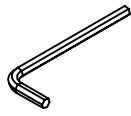


<p><b>Q</b></p>  <p>M10x10, ISK5</p>	<p><b>X</b></p>  <p>Sw5</p>
<p><b>8</b></p>	<p><b>1</b></p>



7

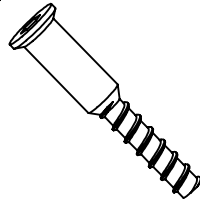
Y



Sw4

1

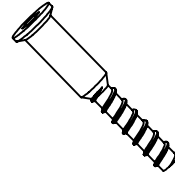
M



SG7x50, ISK4

2

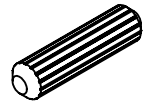
N



SG7x40, ISK4

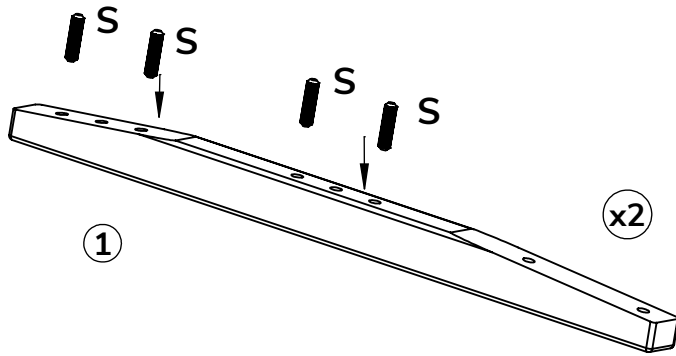
2

S

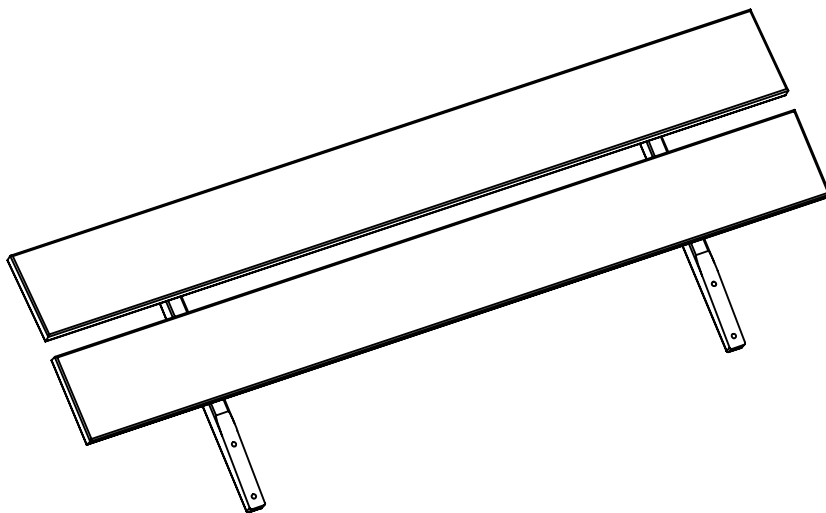
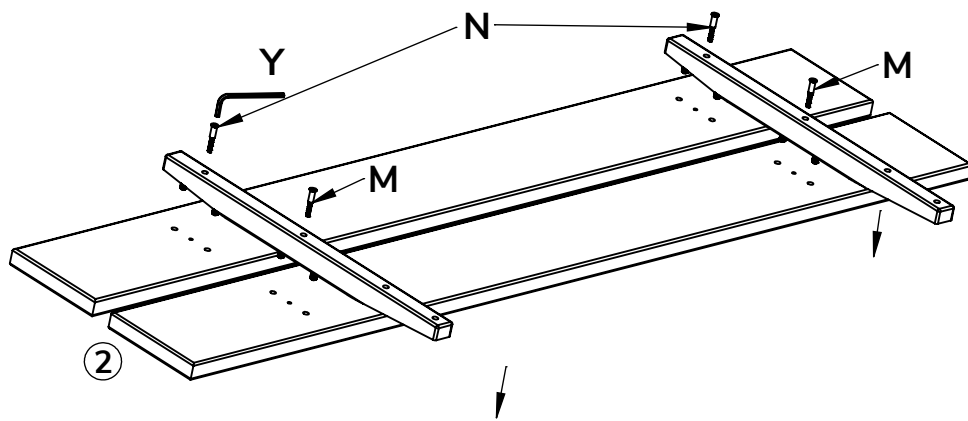


Ø8x32

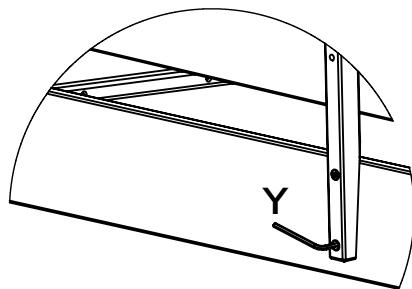
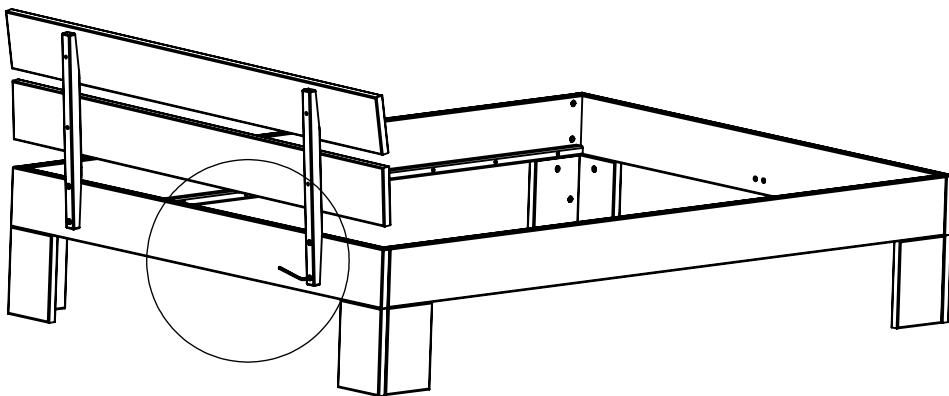
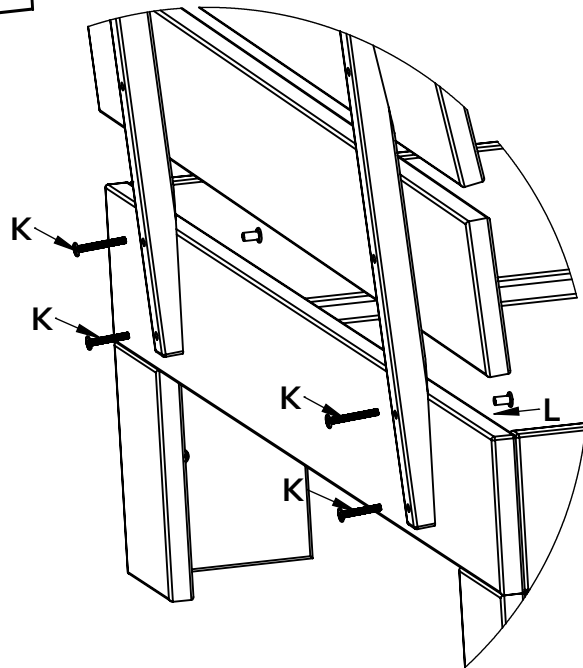
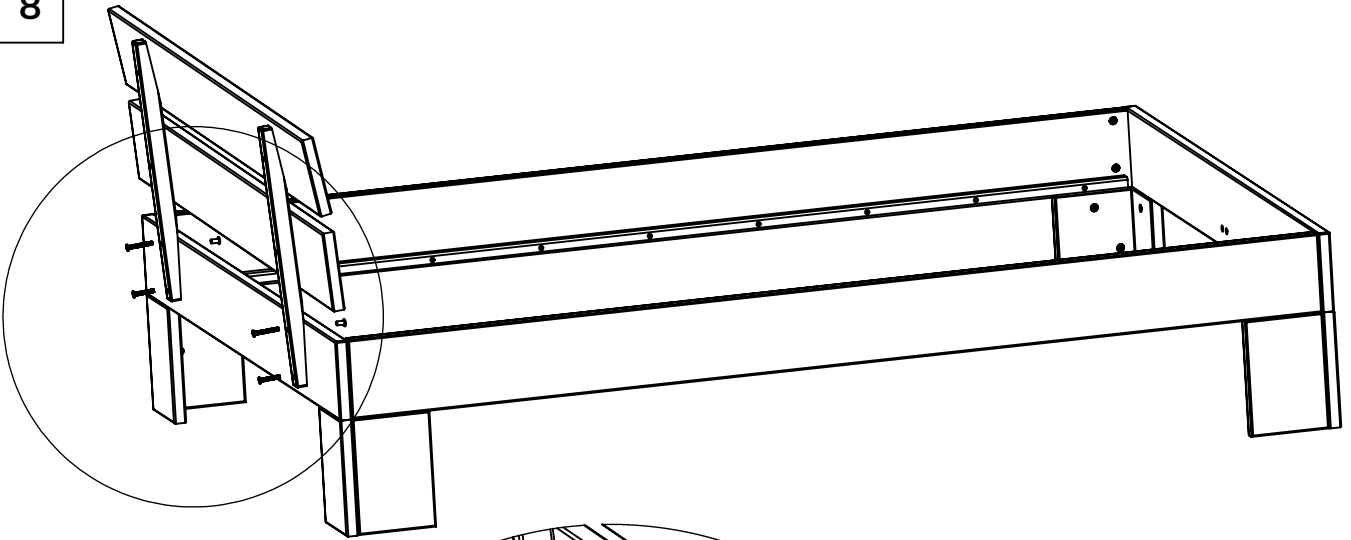
8

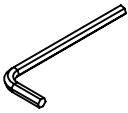
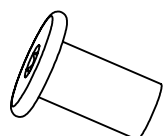



3

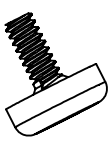
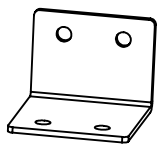

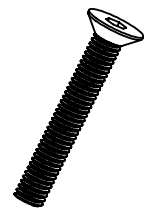
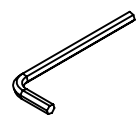


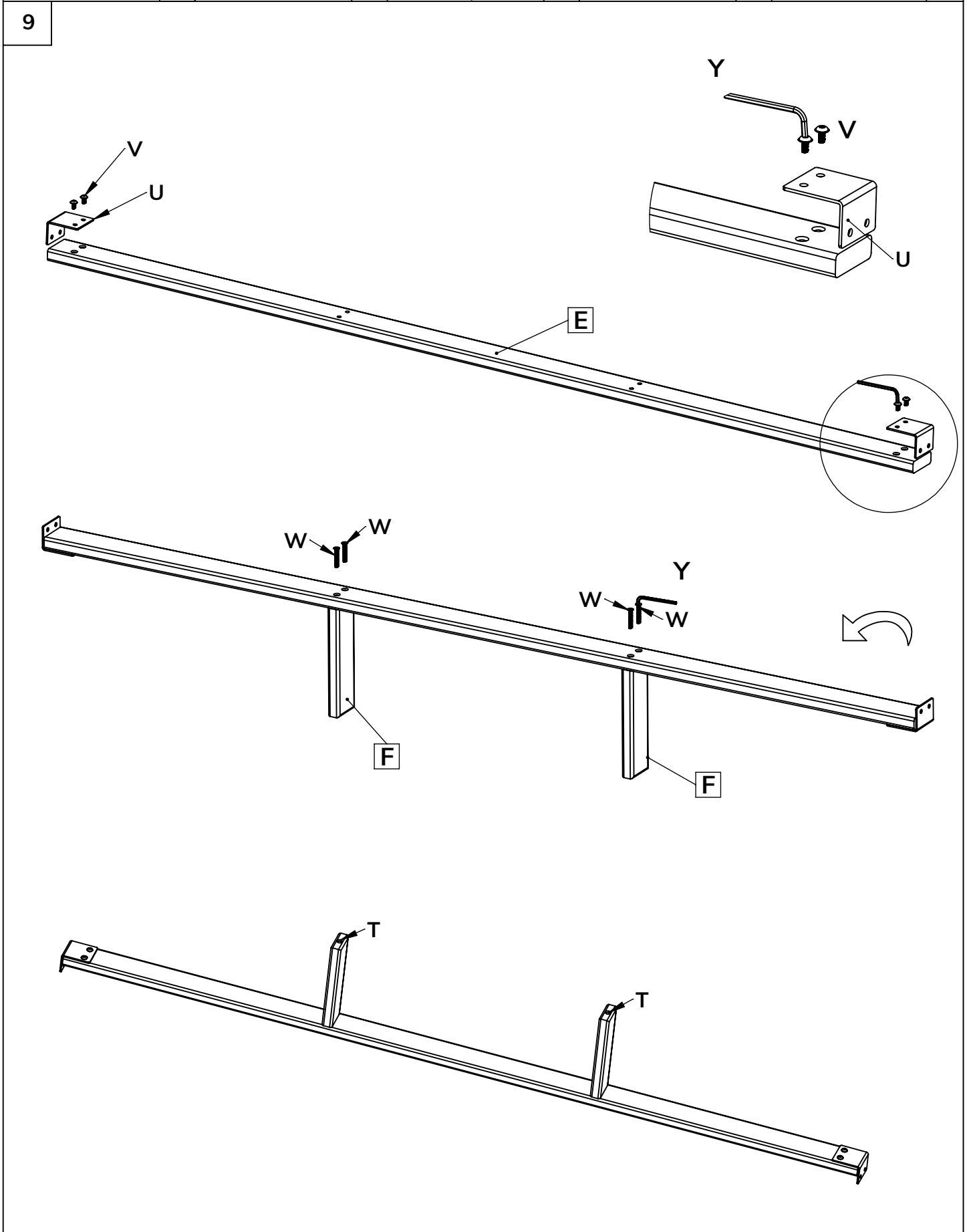
8



Y		1
L		4
K		4
	Sw4	
	M6x15, ISK4	
	M6x40, ISK4	



<p><b>T</b></p>  <p>M6x20, ISK4</p> <p><b>2</b></p>	<p><b>U</b></p>  <p>70x50x65</p> <p><b>2</b></p>	<p><b>V</b></p>  <p>M6x16, ISK4</p> <p><b>4</b></p>	<p><b>W</b></p>  <p>M6x40, ISK4</p> <p><b>4</b></p>	<p><b>Y</b></p>  <p>Sw4</p> <p><b>1</b></p>
--	---	--	---	--



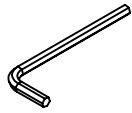
V



M6x16, ISK4

4

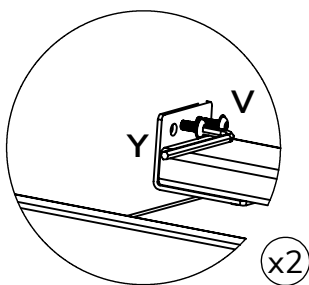
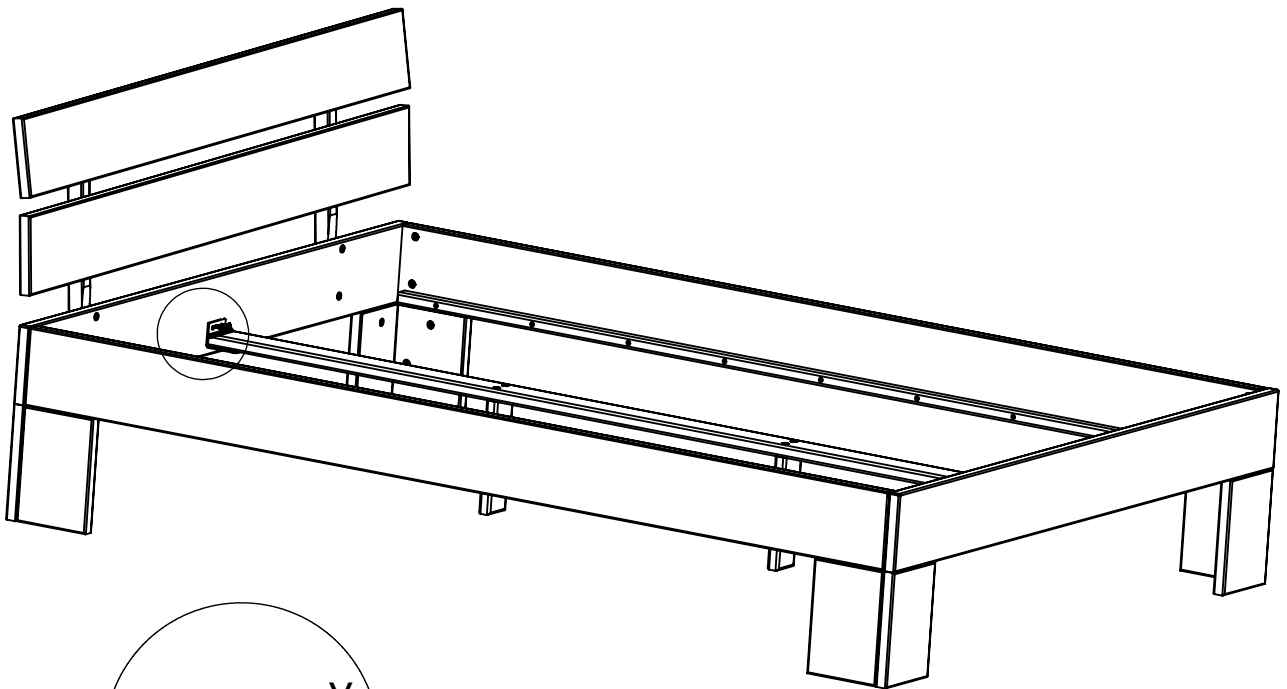
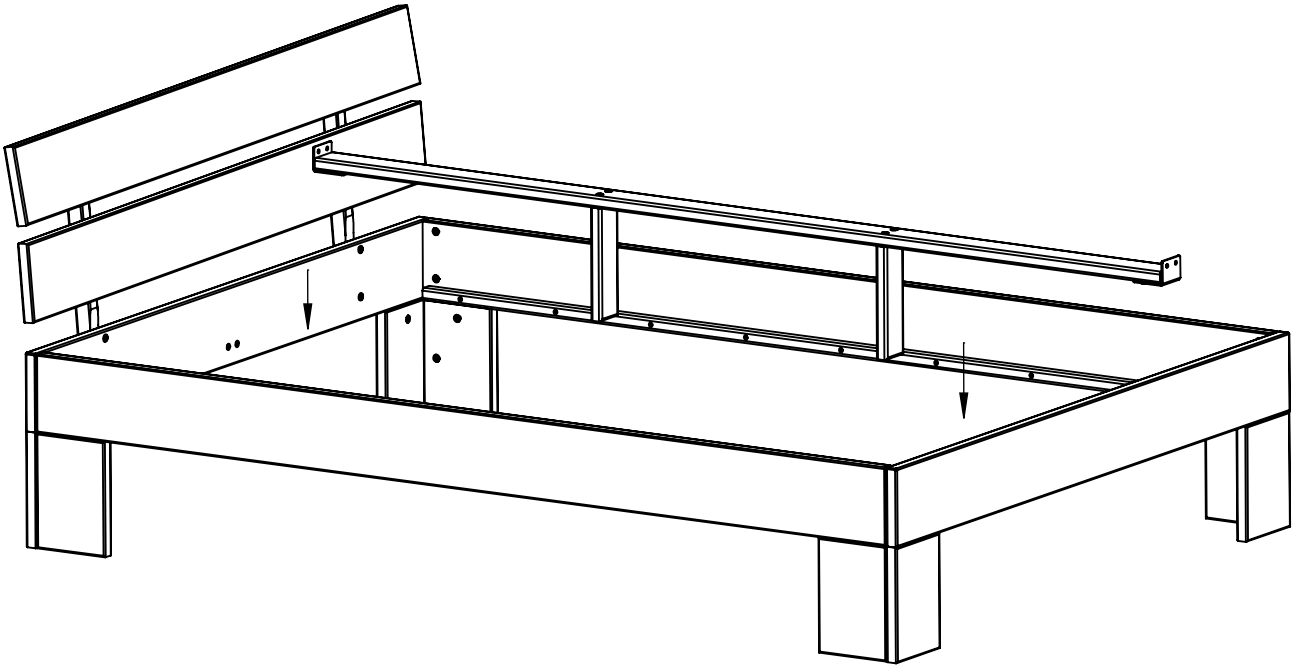
Y



Sw4

1

10



x2