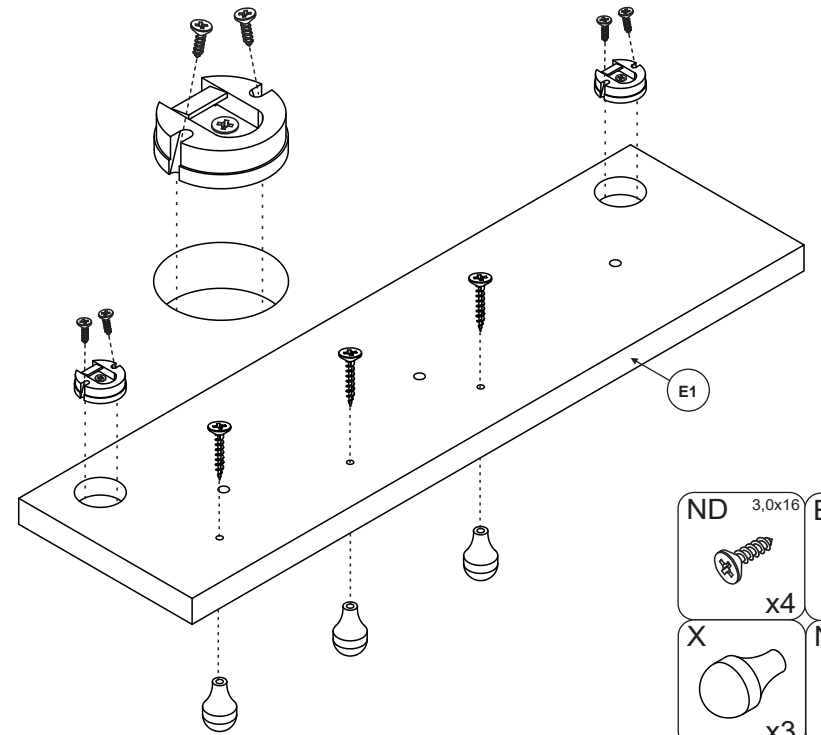
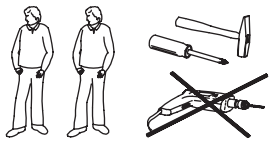
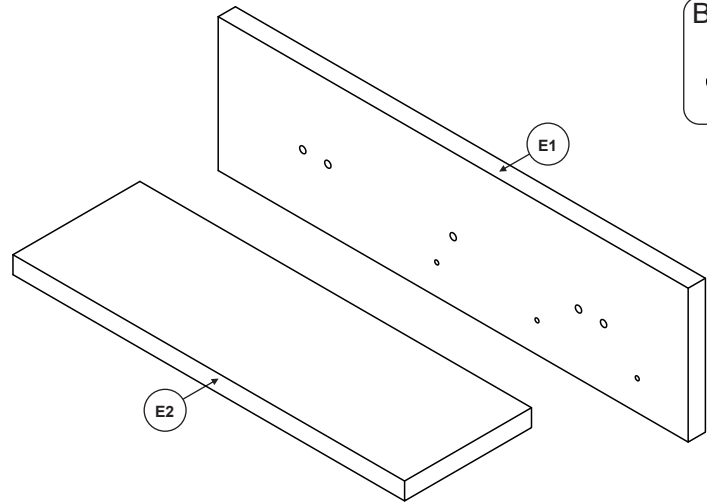
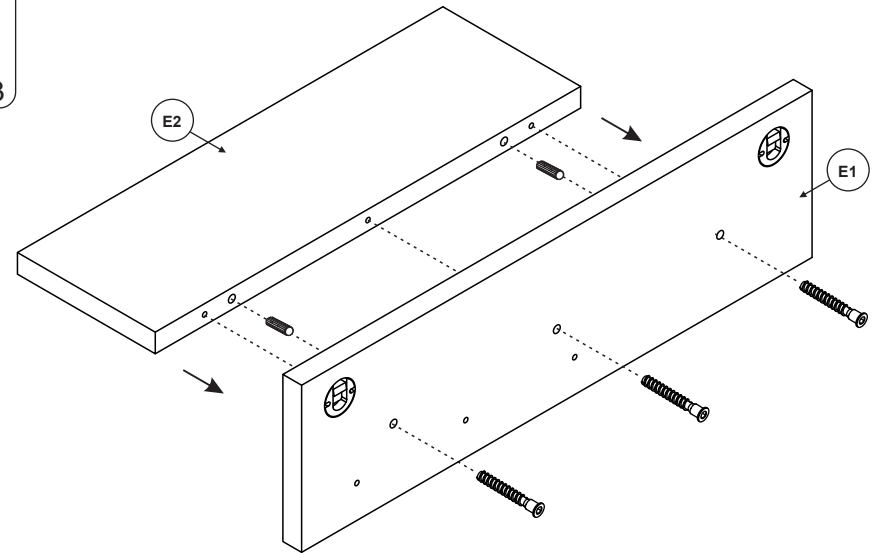


- | | | |
|----------------------|------------------------|-----------------|
| EA
x2 | A 8x32
x2 | ZA
x1 |
| X
x3 | ND 3,0x16
x4 | E
x2 |
| BC 7x50
x3 | NC 3,5x35
x3 | |



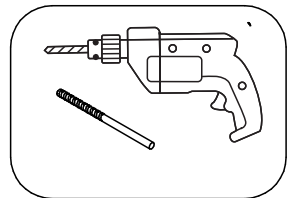
- | | |
|------------------------|------------------------|
| ND 3,0x16
x4 | E
x2 |
| X
x3 | NC 3,5x35
x3 |

- | | |
|----------------------|-----------------|
| A 8x32
x2 | ZA
x1 |
| BC 7x50
x3 | |

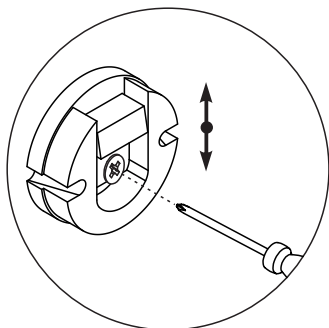
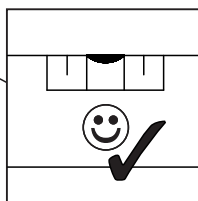
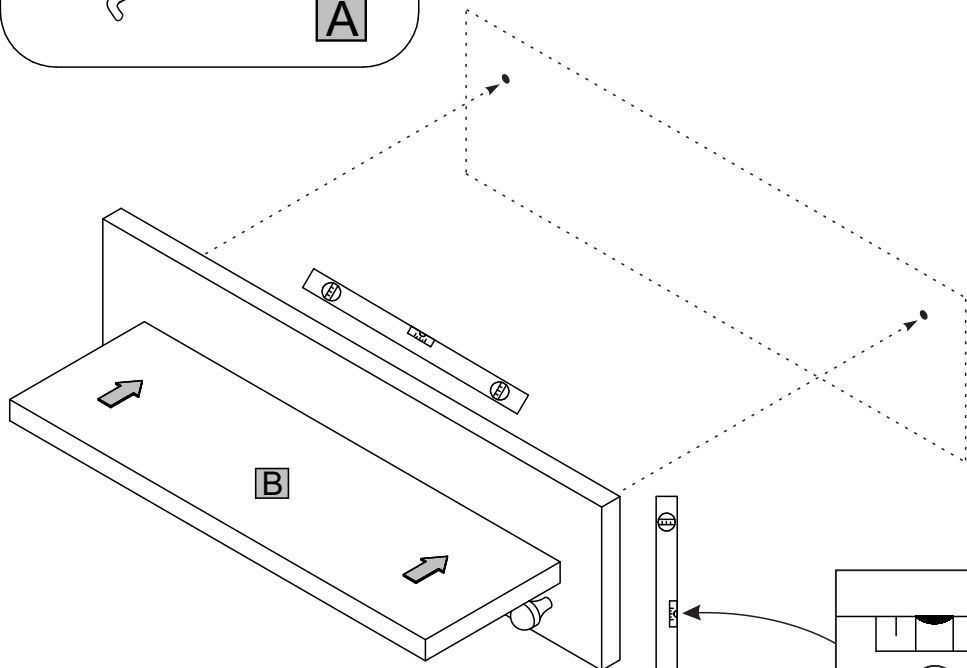
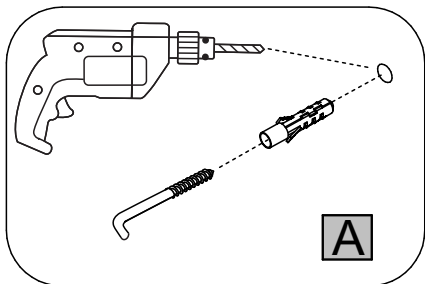
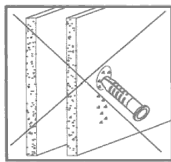
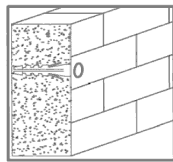


1

2



**Dubel nur für Beton -
oder Steinwand
geeignet**



EA



3